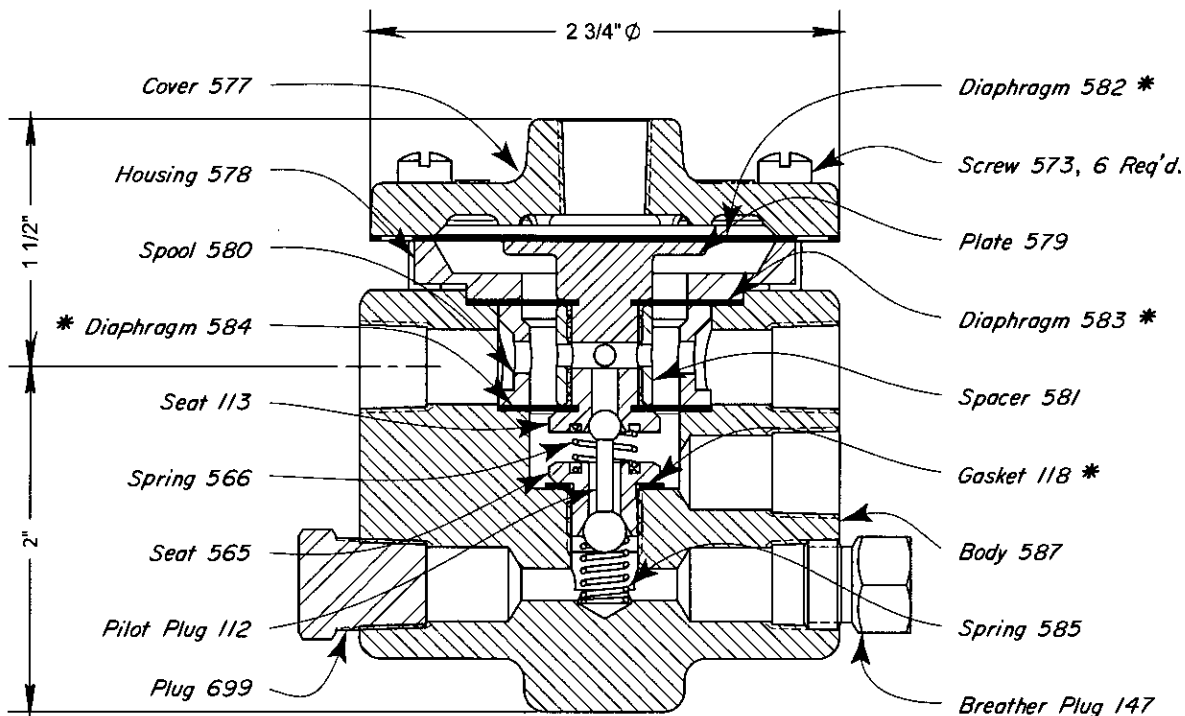


PILOTS AND ACCESSORIES



3 PS SNAP PILOTS
CAST IRON



PILOTS AVAILABLE:

| CAT. NO. | PILOT | MAX W.P. | OPER. PRES. | KIT |
|----------|-------|----------|-------------|-----|
| YAG | 3 PS | 30 | 30 | RMA |

FOR STEEL AND STAINLESS STEEL, SEE 3 PG, THIS SECTION.

For steel and stainless steel, see 3 PG, this section.

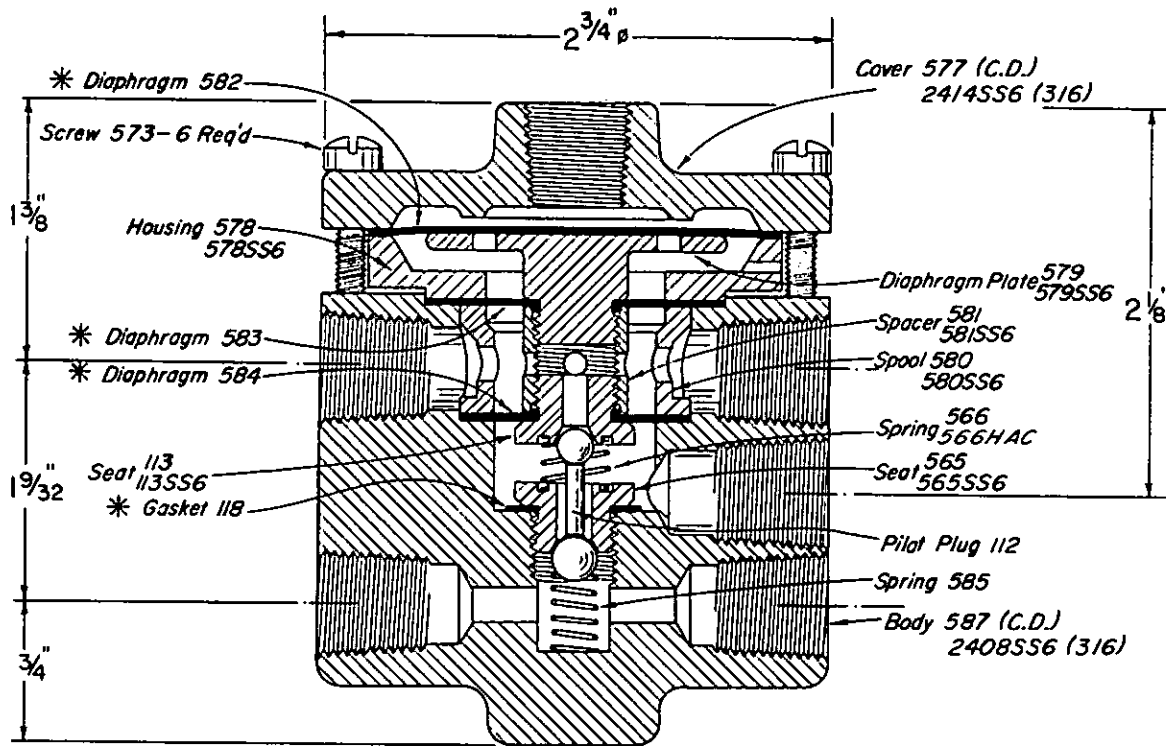
All openings are tapped 1/4" N.P.T.

*These parts are recommended spare parts and are stocked as repair kits.

PILOTS AND ACCESSORIES



3PG THROTTLE PILOTS
 DUCTILE / STEEL / 316SS



PILOTS AVAILABLE:

| CAT. NO. | PILOT | MAX W.P. | OPER. PRES. | KIT |
|----------|----------|----------|-------------|-----|
| YAE | 3 PG | 30 | 30 | RMA |
| YAE1 | 3 PG-S | 30 | 30 | RMA |
| YAGSS6 | 3 PG-SS6 | 30 | 30 | RMA |

NOTES:

May be used as a 3 PS by reversing the supply and vent connections.

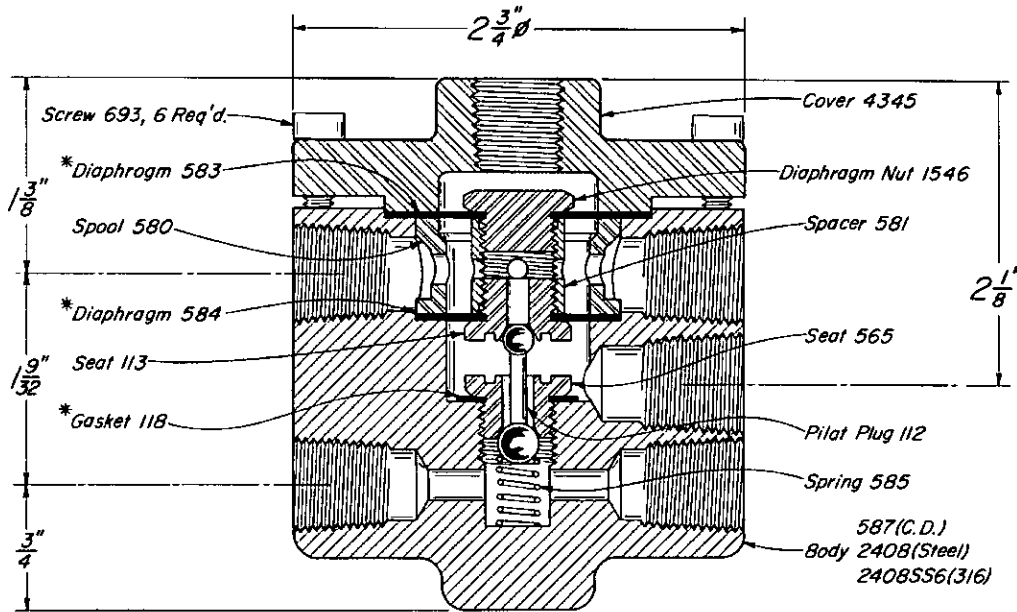
All openings are tapped $\frac{1}{4}$ " N.P.T.

*These parts are recommended spare parts and are stocked as repair kits.

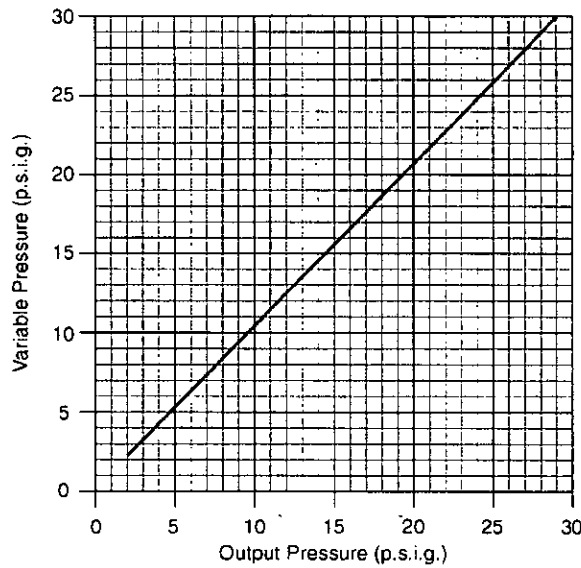
PILOTS AND ACCESSORIES



3PGA THROTTLE PILOTS
DUCTILE / STEEL / 316SS



RESPONSE GRAPH



PILOTS AVAILABLE:

| CAT. NO. | PILOT | MAX W.P. | OPER. PRES. | KIT |
|----------|-------|----------|-------------|-----|
| YAJ | 3 PGA | 30 | 30 | RMA |

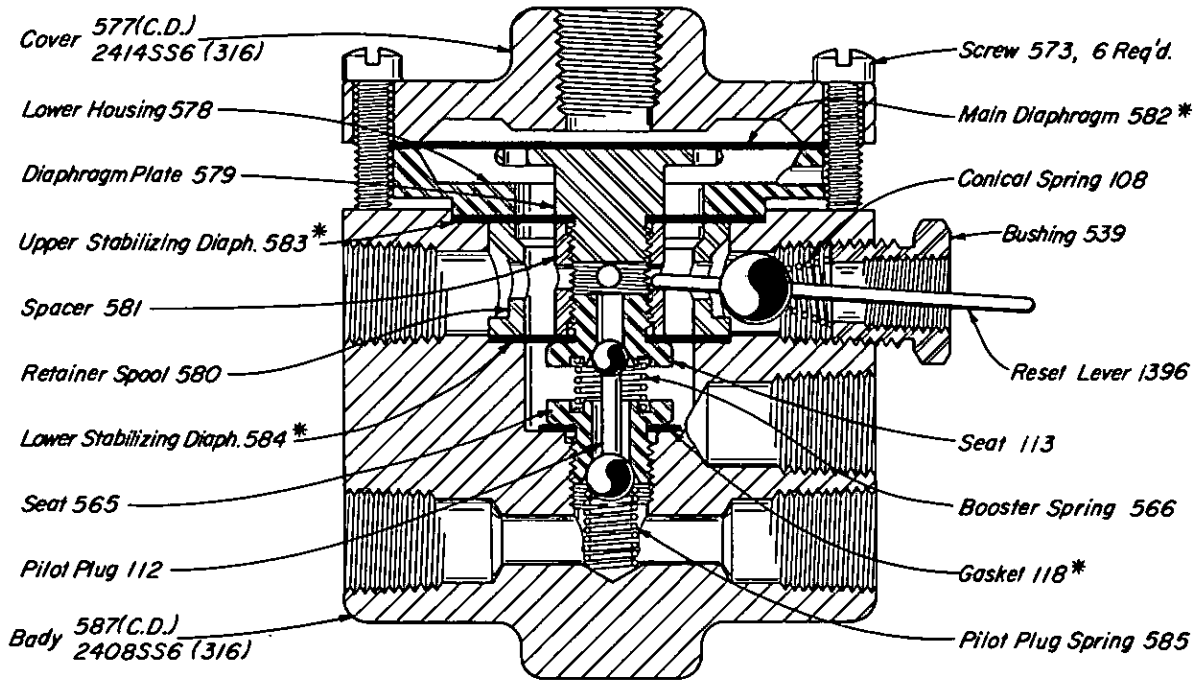
NOTES:

All openings are tapped $\frac{1}{4} \text{ } \text{N.P.T.}$
*These parts are recommended spare parts and are stocked as repair kits.

PILOTS AND ACCESSORIES



3 PGM MANUAL RESET PILOTS
DUCTILE IRON / STEEL



PILOTS AVAILABLE:

| CAT. NO. | PILOT | MAX W.P. | OPER. PRES. | KIT |
|----------|---------|----------|-------------|-----|
| YAF | 3 PGM | 30 | 30 | RMC |
| YAF1 | 3 PGM-S | 30 | 30 | RMC |

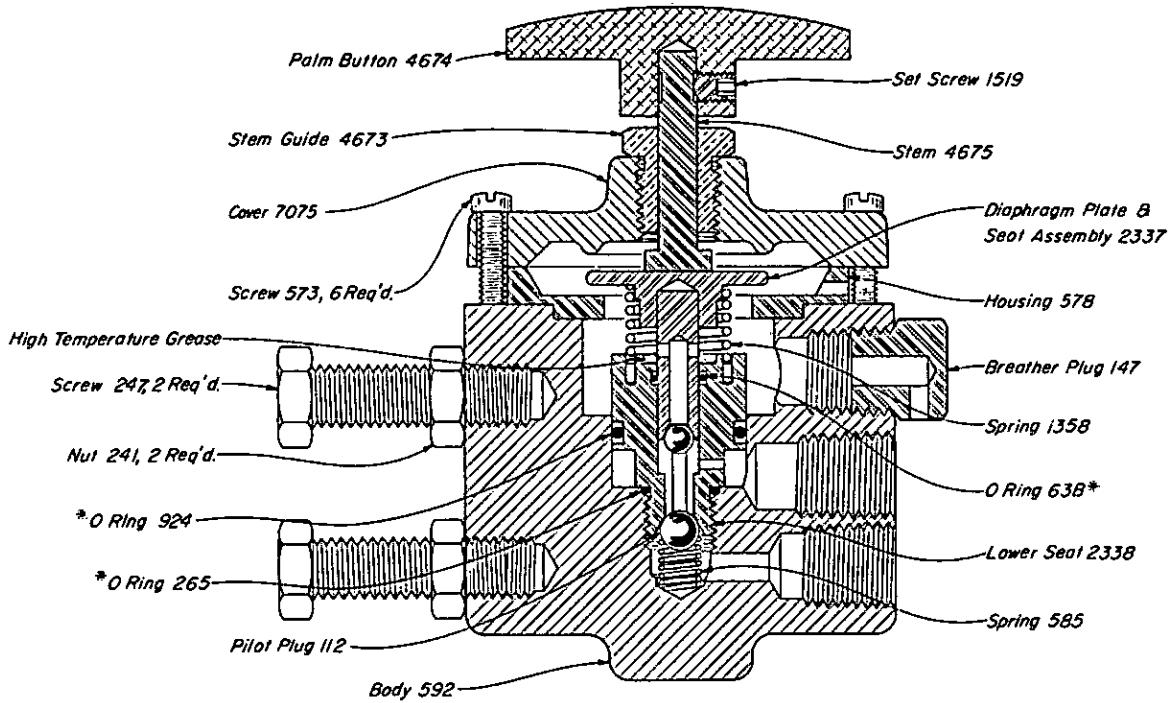
NOTES:

All openings are tapped 1/4" N.P.T.
For dimensions refer to PG. 20.2 this section
*These parts are recommended spare parts and are stocked as repair kits.

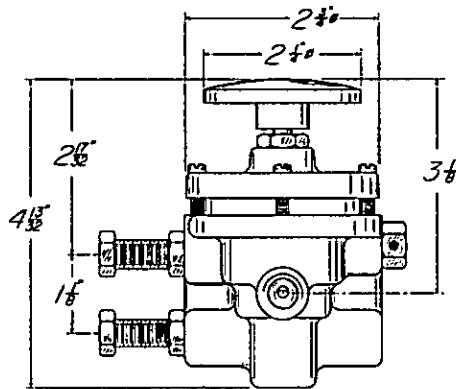
PILOTS AND ACCESSORIES



30 PGMR MANUAL RELAY PILOT DUCTILE IRON



DIMENSIONS



PILOTS AVAILABLE:

| CAT. NO. | PILOT | MAX W.P. | OPER. PRES. | KIT |
|----------|-----------|----------|-------------|-----|
| YAL | 30 PGMR-O | 300 | 300 | RMP |

NOTES:

All openings are tapped $\frac{1}{4}$ " N.P.T.

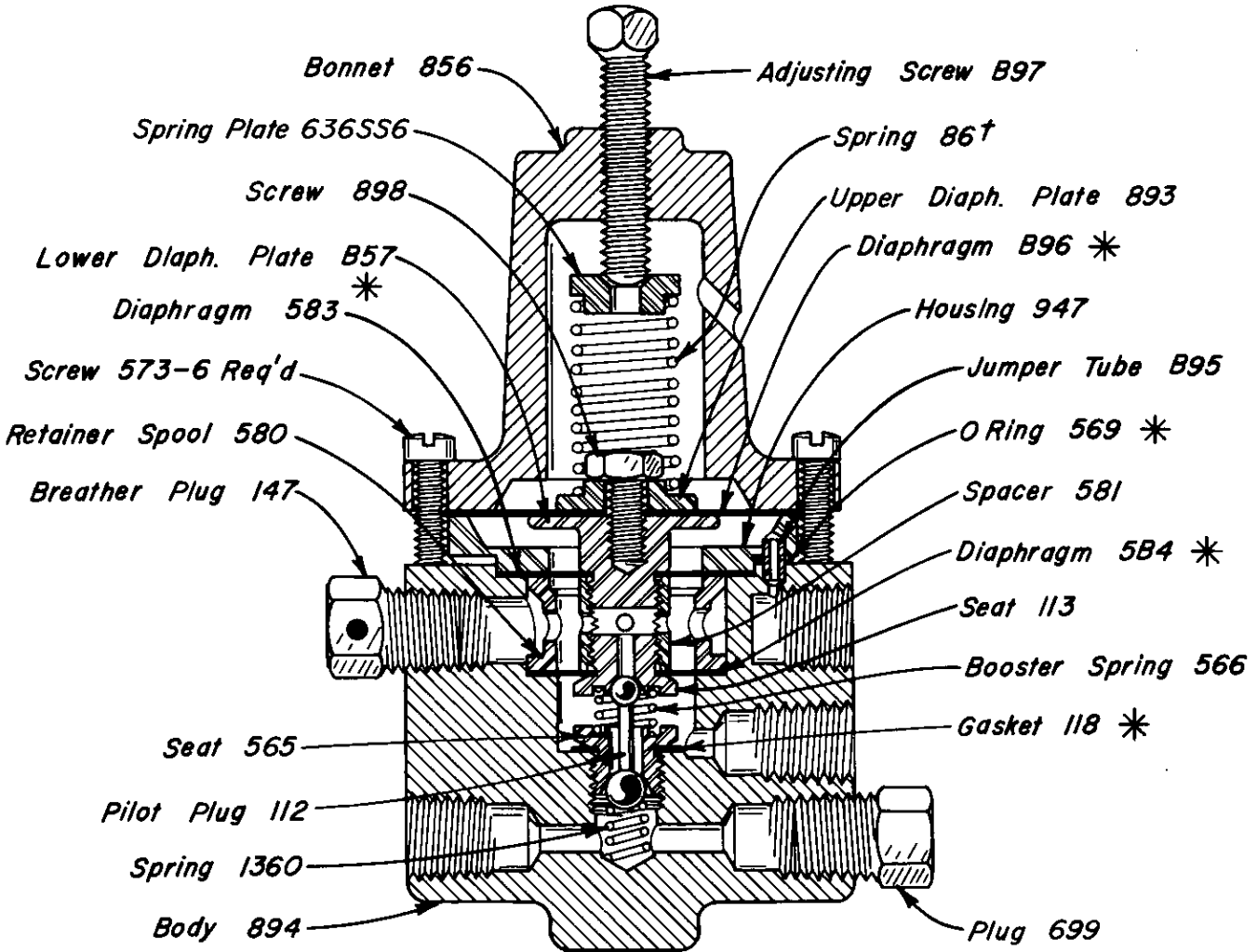
*These parts are recommended spare parts and are stocked as repair kits.

Kimray is an ISO 9001- certified manufacturer.

PILOTS AND ACCESSORIES



**3 PGRA THROTTLE-REVERSE PILOT
CAST IRON**



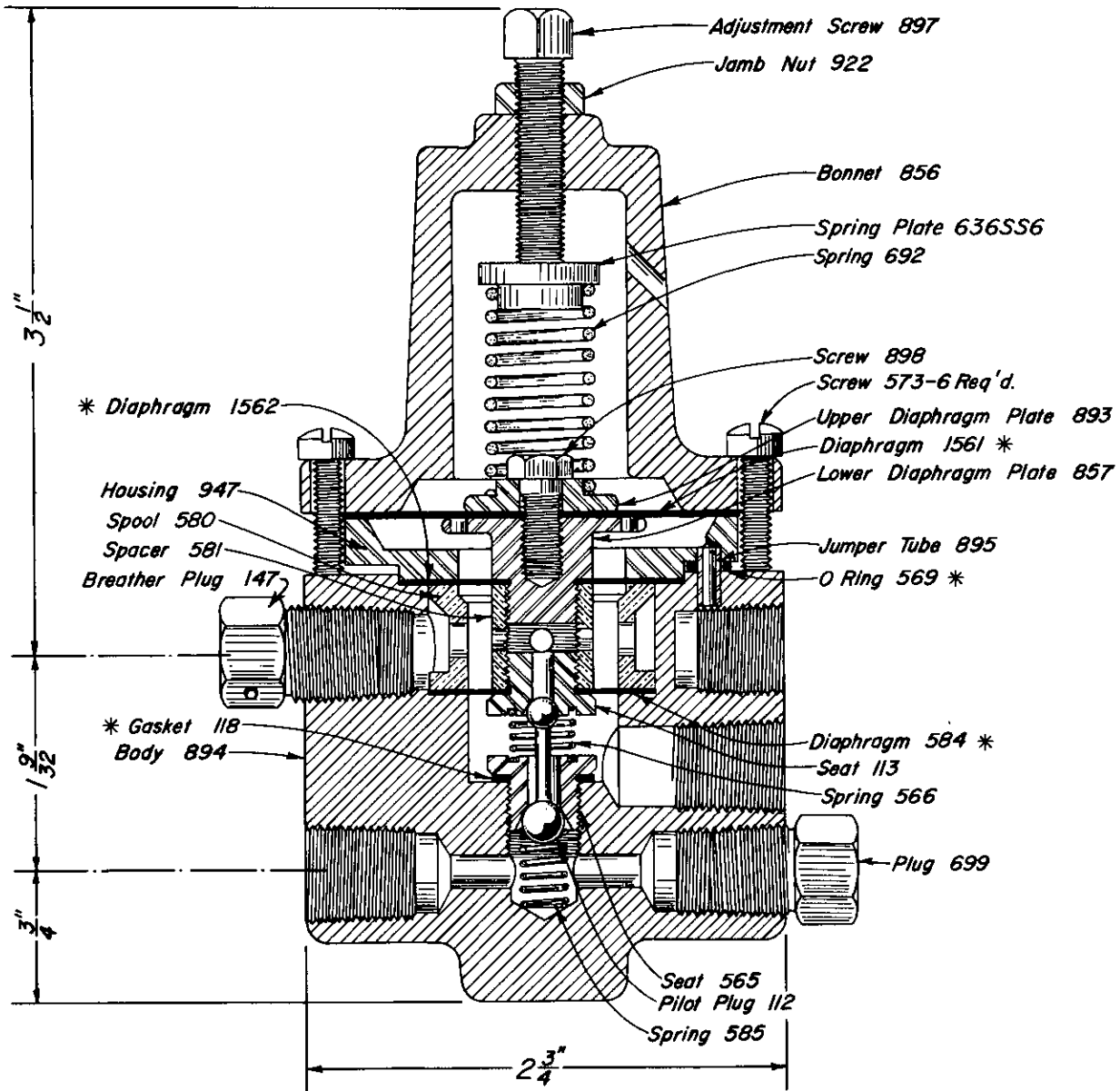
PILOTS AVAILABLE:

| CAT. NO. | PILOT | MAX W.P. | OPER. PRES. | KIT |
|----------|--------|----------|-------------|-----|
| YAH | 3 PGRA | 30 | 30 | RML |

NOTES:

†692 heavy spring available upon request.
 For dimensions refer to Pg. 70.2 of this section.
 All openings are tapped 1/4" N.P.T.
 *These parts are recommended spare parts and are stocked as repair kits.

3 PGP PRESSURESTAT
CAST IRON



PILOTS AVAILABLE:

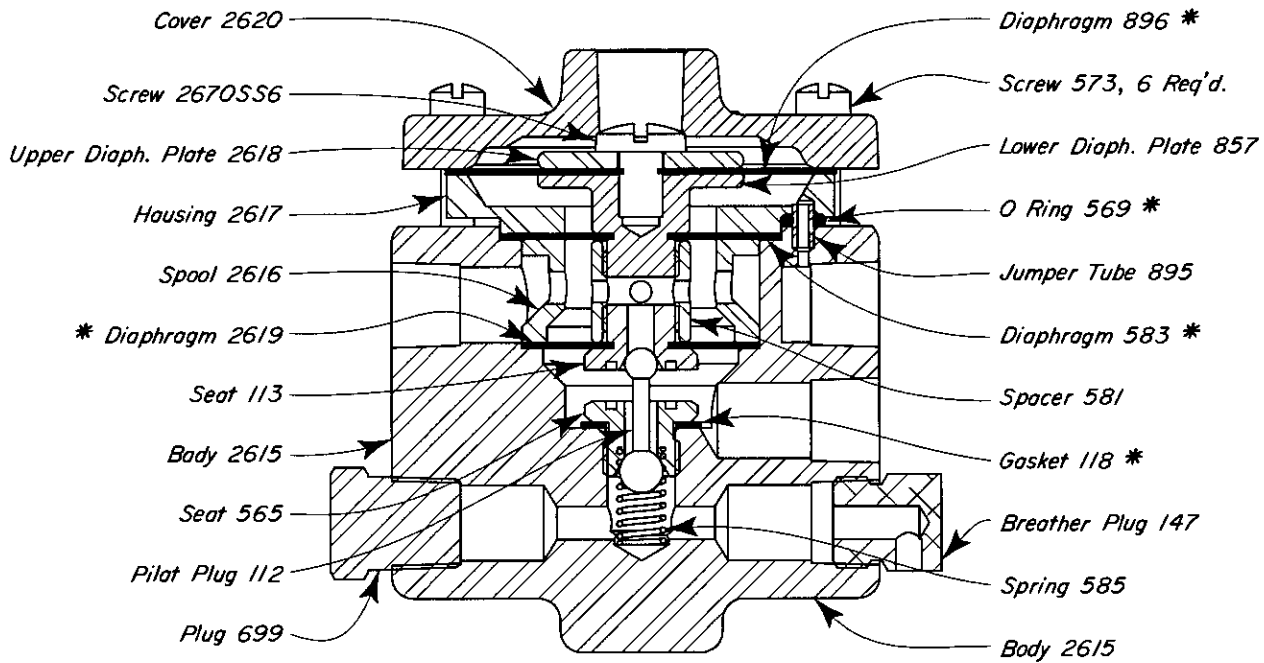
| CAT. NO. | PILOT | MAX W.P. | OPER. PRES. | KIT |
|----------|-------|----------|-------------|-----|
| YAA | 3 PGP | 30 | 30 | RMM |

NOTES:

All openings are tapped 1/4" N.P.T.

*These parts are recommended spare parts and are stocked as repair kits.

3 PGB BISTABLE PILOT
CAST IRON



PILOTS AVAILABLE:

| CAT. NO. | PILOT | MAX W.P. | OPER. PRES. | KIT |
|----------|-------|----------|-------------|-----|
| YAH1 | 3 PGB | 30 | 30 | RME |

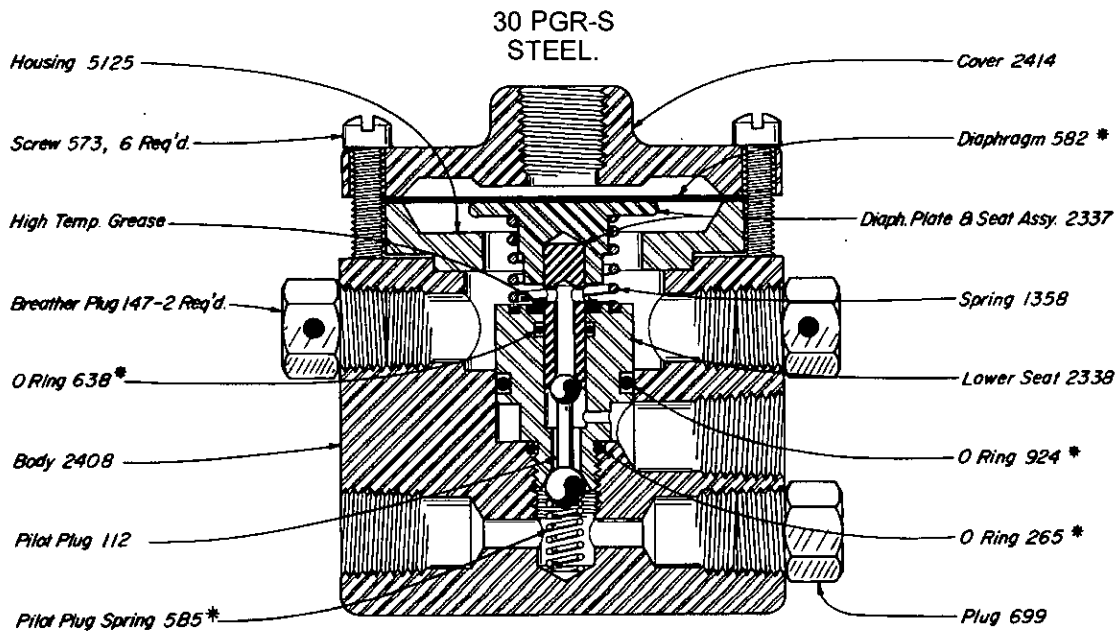
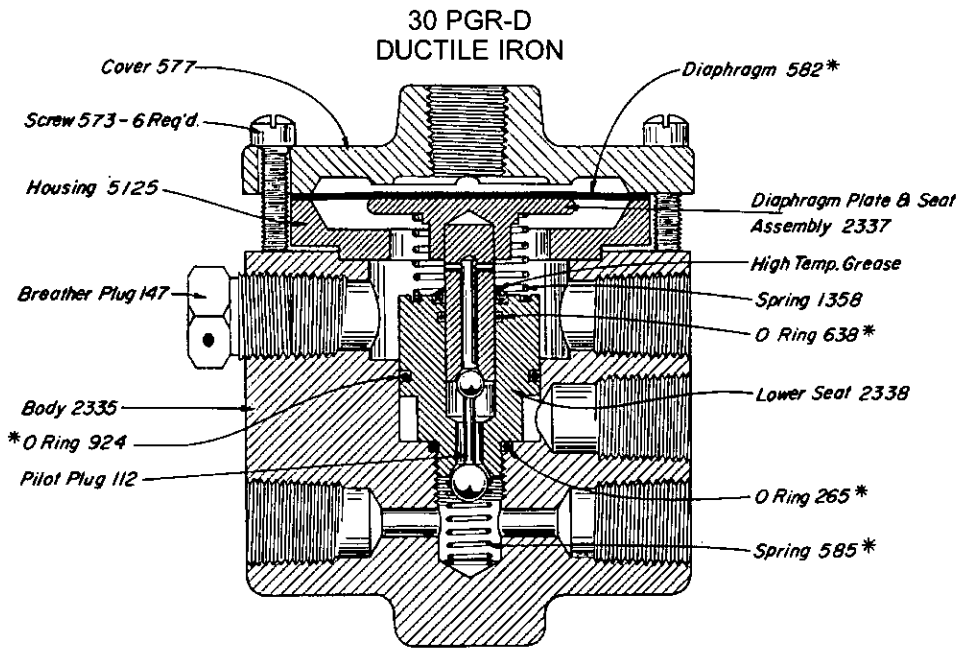
NOTES:

All openings are tapped 1/4" N.P.T.

NOTE: For dimensions refer to pg. 10.2 of this section

*These parts are recommended spare parts and are stocked as repair kits.

30 PGR RELAYS
DUCTILE IRON / STEEL



PILOTS AVAILABLE:

| CAT. NO. | PILOT | MAX W.P. | OPER. PRES. | KIT |
|----------|----------|----------|-------------|-----|
| YAI | 30 PGR-D | 300 | 300 | RMY |
| YAI1 | 30 PGR-S | 300 | 300 | RMY |

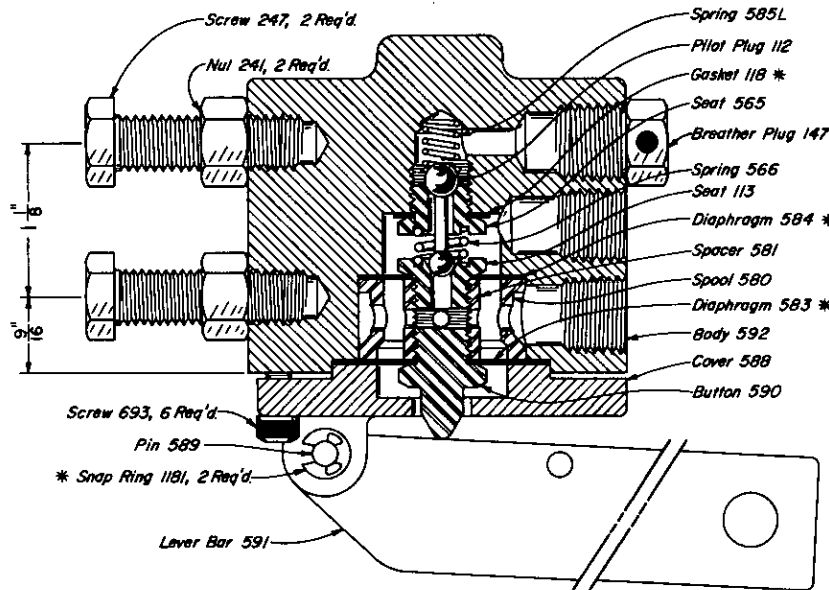
NOTES:

All openings are tapped 1/4" N.P.T.

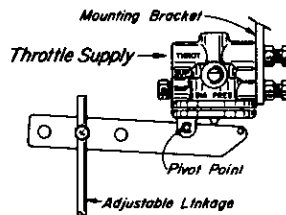
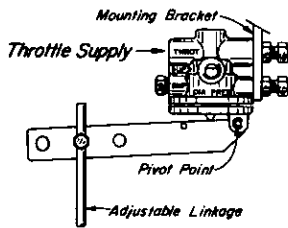
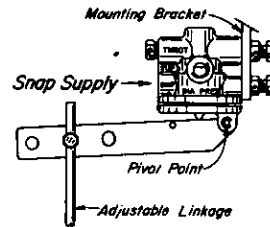
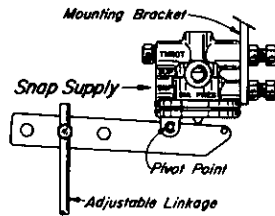
NOTE: For dimensions refer to Pg. 20.2 this section.

*These parts are recommended spare parts and are stocked as repair kits.

3 PM MECHANICAL PILOT
CAST IRON



INSTALLATION



| ROD MOVEMENT | OUTPUT |
|--------------|-----------------|
| Up | Supply Pressure |
| Down | Vented |

| ROD MOVEMENT | OUTPUT |
|--------------|-----------------|
| Up | Vented |
| Down | Supply Pressure |

PILOTS AVAILABLE:

| CAT. NO. | PILOT | MAX W.P. | OPER. PRES. | KIT |
|----------|-------|----------|-------------|-----|
| CDA | 3 PM | 30 | 30 | RMN |

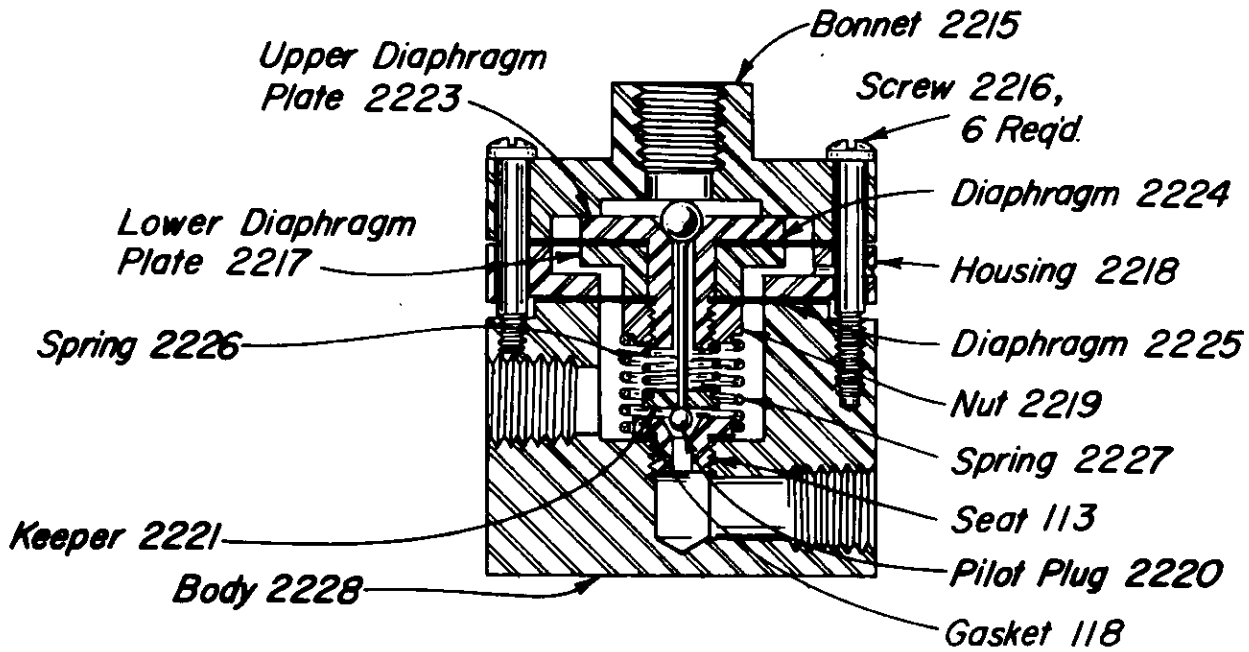
MOUNTING BRACKETS AVAILABLE: Order separate

| FLOAT OPENING | MOUNTING BRACKET |
|---------------|------------------|
| 612 TOB | 903 |
| 812 TOB | 904 |
| 1012 TOB | 681 |
| 50 TOB-D | 3035 |
| 25 TOB-D | 3035 |
| 8" HUTA | 3035 |
| 26 WA/26DM | 1856 |

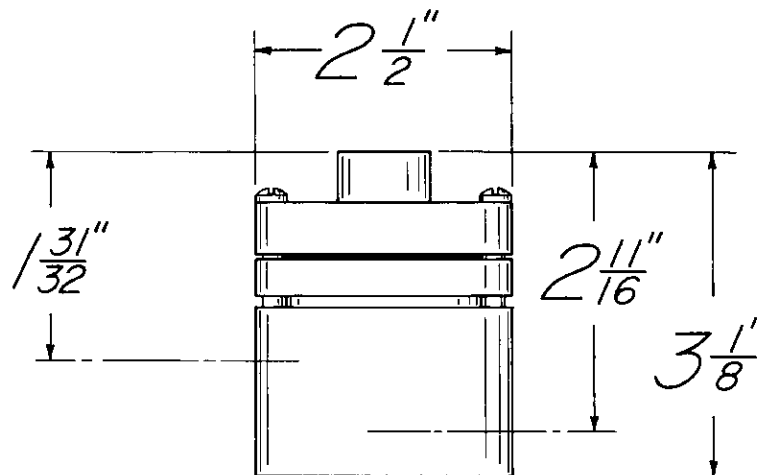
*These parts are recommended spare parts and are stocked as repair kits.

Kimray is an ISO 9001- certified manufacturer.

4 POR PRIORITY SIGNAL RELAY
ALUMINUM



PILOT DIMENSIONS



PILOTS AVAILABLE:

| CAT. NO. | PILOT | MAX W.P. | OPER. PRES. | KIT |
|----------|-------|----------|-------------|-----|
| YBA | 4 POR | 40 | 40 | |

NOTES:

All openings are tapped $\frac{1}{4}$ " N.P.T.

FEATURES:

- Single Adjusting Screw
- Accurate control
- Proportional control
- Intermittent bleed pilot construction
- Indirect or Direct Action
- Remote Installation
- 2500 psig operating pressure

PRESSURE RANGE:

| | |
|--------|---------------|
| 50 PG | 75-500 psig |
| 75 PG | 75-750 psig |
| 150 PG | 125-1500 psig |
| 250 PG | 200-2500 psig |

SUPPLY PRESSURE:

20 & 30 psig

SENSITIVITY:

| | SENSE PRESS CHANGE (psig) | OUTPUT PRESS CHANGE (psig) |
|--------|------------------------------|-------------------------------|
| 50 PG | 1 psig | 1.6 psig |
| 75 PG | 1 psig | 1.6 psig |
| 150 PG | 1 psig | 1 psig |
| 250 PG | 1 psig | 0.75 psig |

ADJUSTMENT:

| | SET POINT CHANGE (psig) |
|--------|----------------------------|
| 50 PG | 20 psig / 1 TURN |
| 75 PG | 20 psig / 1 TURN |
| 150 PG | 40 psig / 1 TURN |
| 250 PG | 60 psig / 1 TURN |

APPLICATION:

Pilot may be installed as Back Pressure Regulator with a Pressure Closing Motor Valve.

Pilot may be used as a pressure monitor that provides an output signal when the sense pressure falls below the set pressure, or when the signal goes above the set pressure.

Pilot may be used as a Pressure Reducing Regulator with a Pressure Opening Motor Valve.

OPERATION:

The DIAPHRAGM ASSEMBLY and the Bellows Assembly are the only moving units in the pilot. The PILOT PLUG consist of two stainless balls rigidly connected together. The upper seat of the PILOT PLUG is the vent for the Modulated Output Pressure (Yellow to Atmosphere). The lower seat of the PILOT PLUG is the Supply Pressure inlet to the Modulated Output (Violet to Yellow).

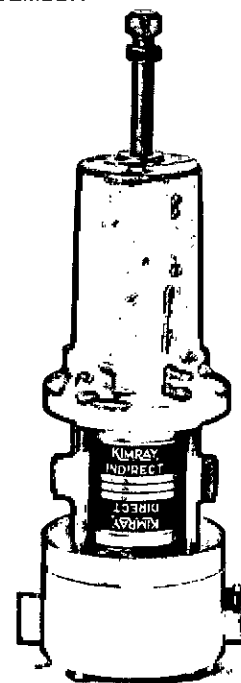
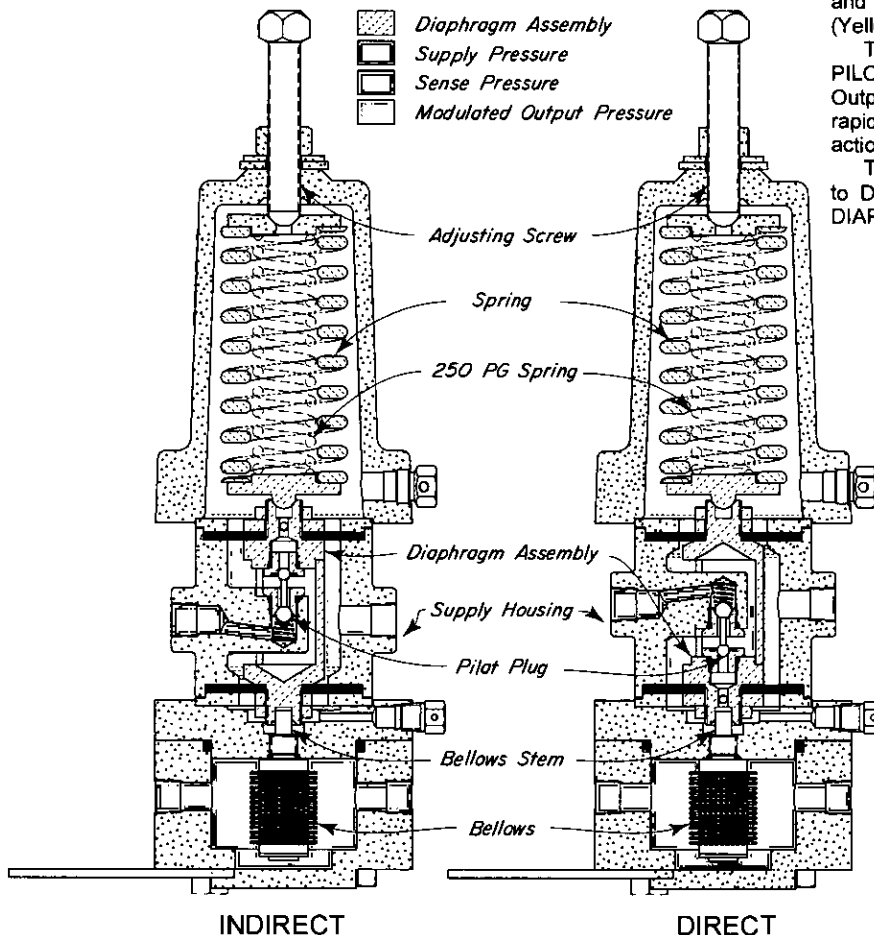
The SPRING in the bonnet loads the upper side of the DIAPHRAGM ASSEMBLY and is opposed at the opposite end by the BELLOWS STEM. The BELLOWS STEM is actuated by the Sense Pressure (Orange) acting on the outside of the BELLOWS.

Assume the SPRING is compressed with the ADJUSTING SCREW for a set pressure greater than the Sense Pressure (Orange). The DIAPHRAGM ASSEMBLY is forced downward by the SPRING. The upper seat of the PILOT PLUG (Yellow to Atmosphere) is closed and the lower seat of the PILOT PLUG (Violet to Yellow) is opened. This allows Supply Pressure (Violet) to provide a Modulated Output Pressure (Yellow).

As the Sense Pressure (Orange) increases to the set pressure, the BELLOWS begins to contract, moving the BELLOWS STEM upward against the DIAPHRAGM ASSEMBLY. This compresses the SPRING and closes the lower seat (Violet to Yellow) and opens the vent for the Modulated Output Pressure (Yellow) to decrease.

The intermittent bleed, three-way valve action of the PILOT PLUG against its seat adjusts the Modulated Output Pressure (Yellow) in and the set pressure. The rapid but stable repositioning produces a true throttling action.

The action of the pilot may be changed from Indirect to Direct by inverting the SUPPLY HOUSING and the DIAPHRAGM ASSEMBLY.

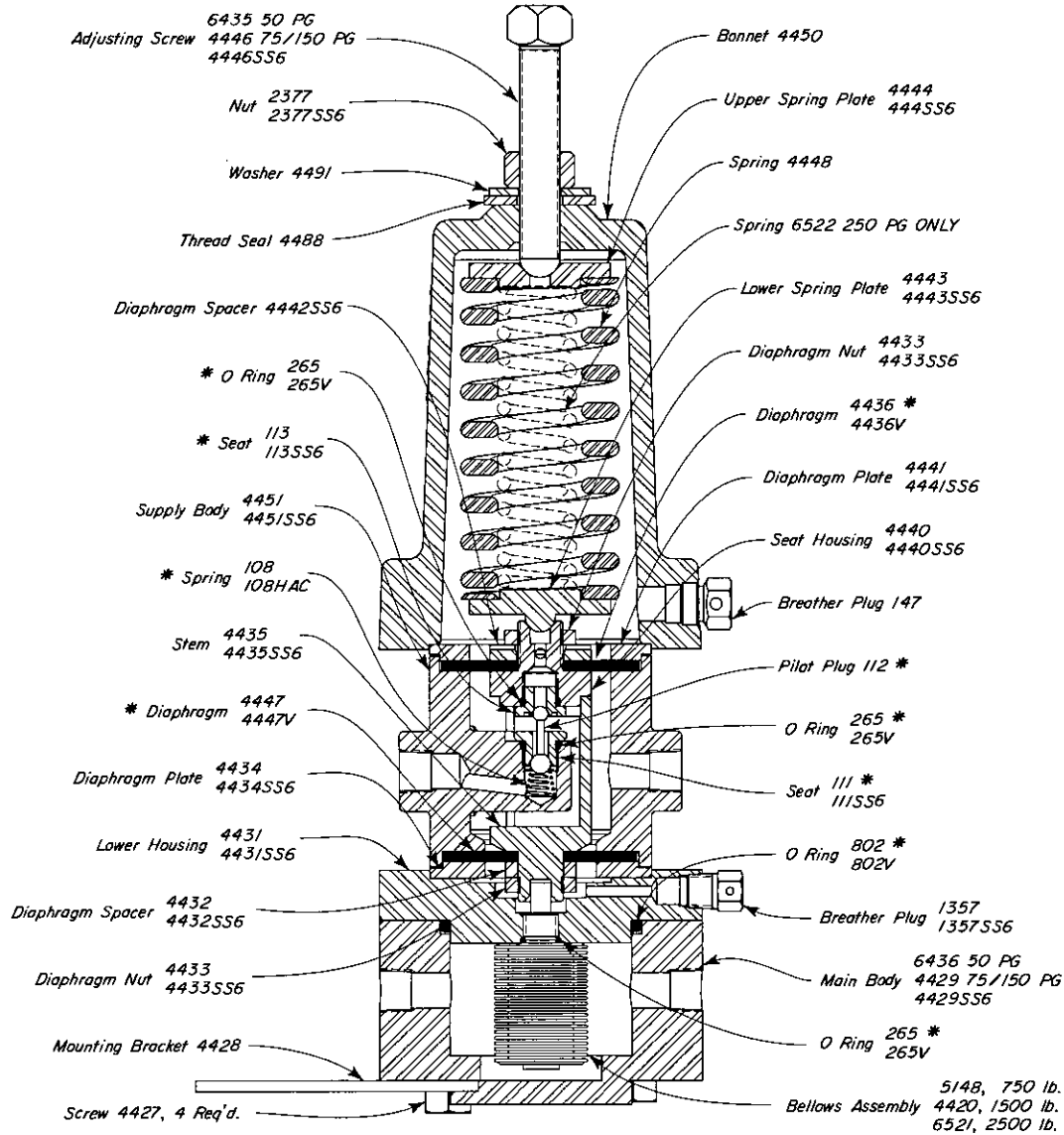


Kimray is an ISO 9001- certified manufacturer.

PILOTS AND ACCESSORIES



50 / 75 / 150 / 250 PG PILOTS
STEEL / SS6



PILOTS AVAILABLE:

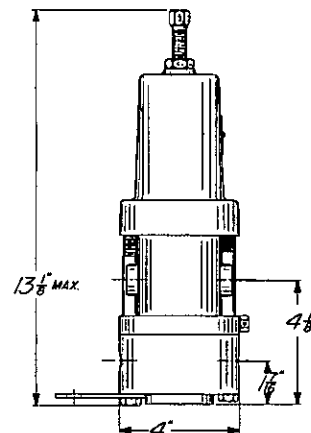
| CAT. NO. | PILOT | MAX W.P. | OPER. PRES. | KIT |
|----------|------------------------------|----------|-------------|-------|
| AFZ4 | 50 PG I.A. ^a | 500 | 500 | RBQ |
| AFZ5 | 50 PG D.A. ^b | 500 | 500 | RBQ |
| AFZ2 | 75 PG I.A. ^a | 750 | 750 | RBQ |
| AFZ2SS6 | 75 PG I.A. ^a SS6 | 750 | 750 | RBQ-V |
| AFZ3 | 75 PG D.A. ^b | 750 | 750 | RBQ |
| AFZ | 150 PG I.A. ^a | 1500 | 1500 | RBQ |
| AFZSS6 | 150 PG I.A. ^a SS6 | 1500 | 1500 | RBQ-V |
| AFZ1 | 150 PG D.A. ^b | 1500 | 1500 | RBQ |
| AFZ1-SS6 | 150 PG D.A. ^b SS6 | 1500 | 1500 | RBQ-V |
| AFZ6 | 250 PG D.A. ^b | 2500 | 2500 | RBQ |
| AFZ7 | 250 PG I.A. ^a | 2500 | 2500 | RBQ |

^a Indirect Action

^b Direct Action

*These are recommended spare parts and are stocked as repair kits.

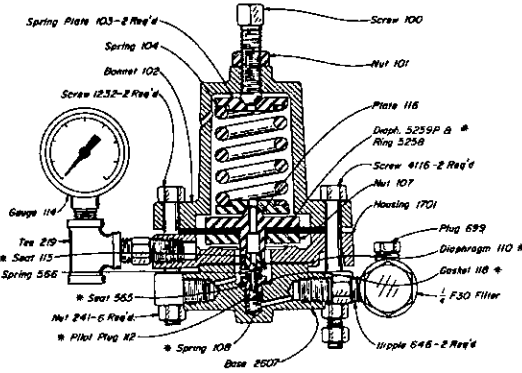
PILOT DIMENSIONS



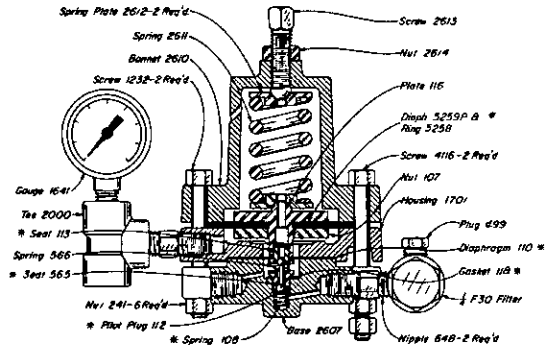
Kimray is an ISO 9001- certified manufacturer.

PRESSURE PILOTS
CAST IRON / DUCTILE IRON / STEEL

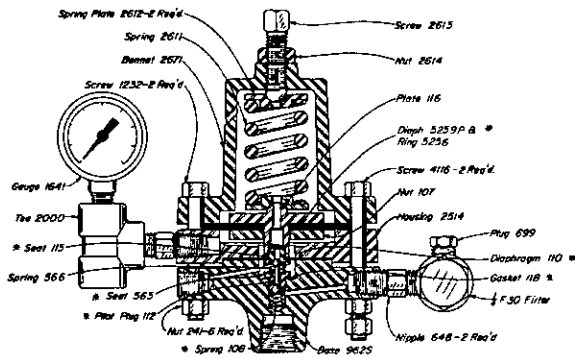
12 PG
CAST IRON



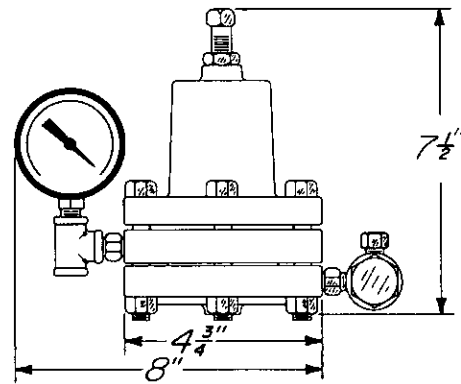
30 PG-D
DUCTILE



30 PG-S
STEEL



PILOT
DIMENSIONS



PILOTS AVAILABLE:

| CAT. NO. | PILOT | MAX W.P. | OPER. PRES. | KIT |
|----------|------------|----------|-------------|-----|
| AFN | 12 PG PR | 175 | 125 | RBM |
| AFS | 30 PG PR-D | 300 | 300 | RBM |
| AHU | 30 PG PR-S | 300 | 300 | RBM |

NOTES:

All openings are tapped 1/4" NPT.

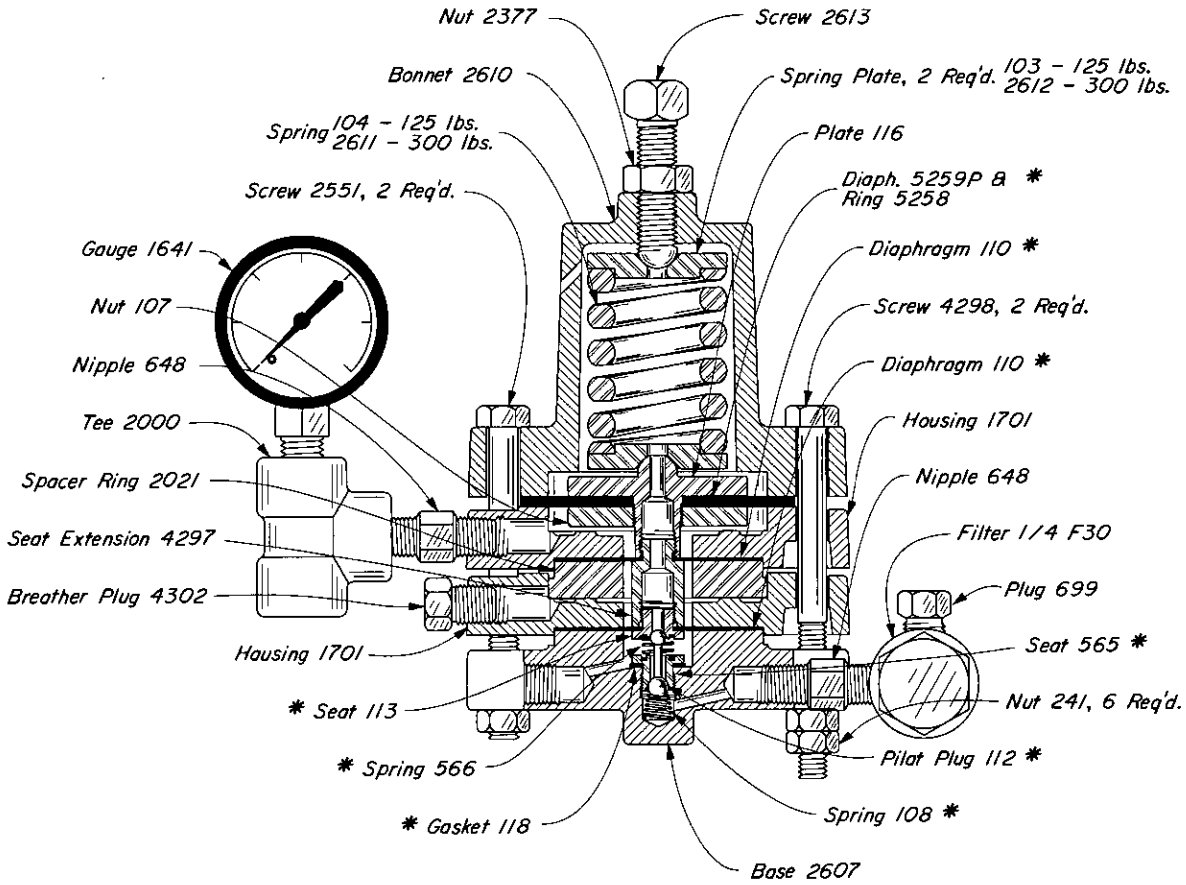
*These are recommended spare parts and are stocked as repair kits.

Kimray is an ISO 9001- certified manufacturer.

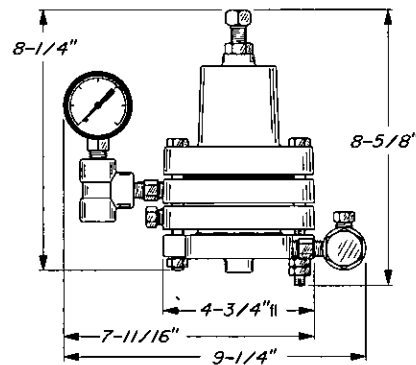
PILOTS AND ACCESSORIES



HIGH PRESSURE - PRESSURE PILOTS DUCTILE IRON



PILOT DIMENSIONS



PILOTS AVAILABLE:

| CAT. NO. | PILOT | MAX OPER. W.P. | OPER. PRES. | KIT |
|----------|--------------------------|----------------|-------------|-------|
| AHJ | 30 HPG-D | 300 | 300 | RSR |
| AHJSS6 | 30 HPG-D w/316SS & Vit | 300 | 300 | RSR-V |
| AHJ2 | 30 HPG-D w/125 lb Spring | 300 | 125 | RSR |

NOTES:

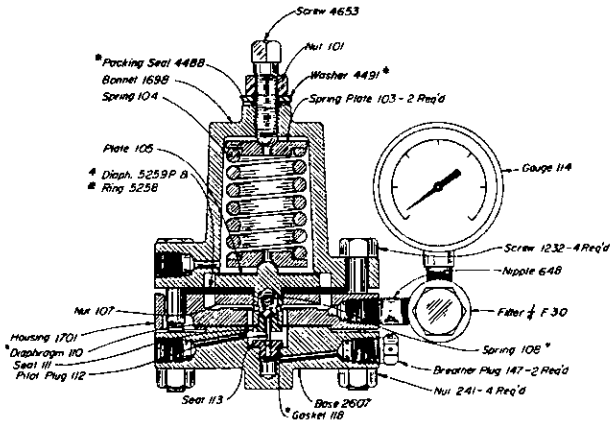
All openings are tapped 1/4" NPT.

*These are recommended spare parts and are stocked as repair kits.

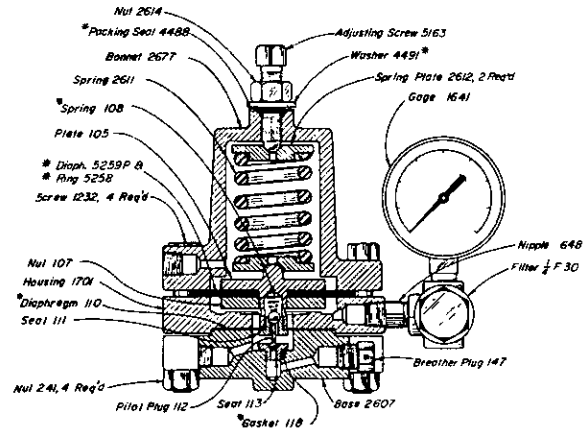
Kimray is an ISO 9001- certified manufacturer.

PRESSURE DIFFERENTIAL PILOTS
CAST IRON / DUCTILE / STEEL

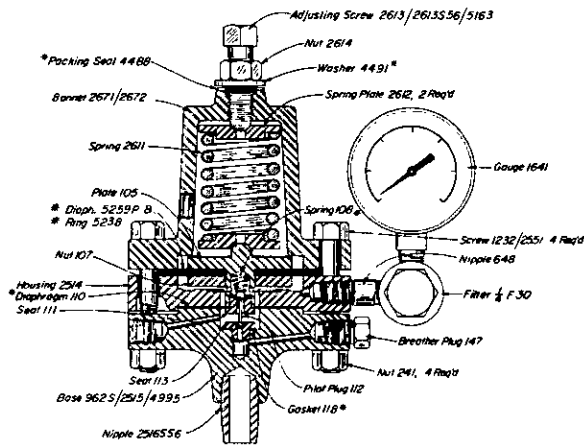
12 PG PD
CAST IRON



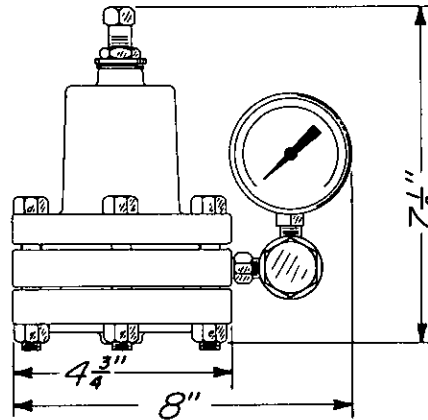
30 PG PD-D
DUCTILE



30 PG PD-S
STEEL



PILOT
DIMENSIONS



PILOTS AVAILABLE:

| CAT. NO. | PILOT | MAX W.P. | OPER. PRES. | KIT |
|----------|------------|----------|-------------|-----|
| AFP | 12 PG PD | 175 | 125 | RBL |
| AFT | 30 PG PD-D | 300 | 300 | RBL |
| AHT | 30 PG PD-S | 300 | 300 | RBL |

NOTES:

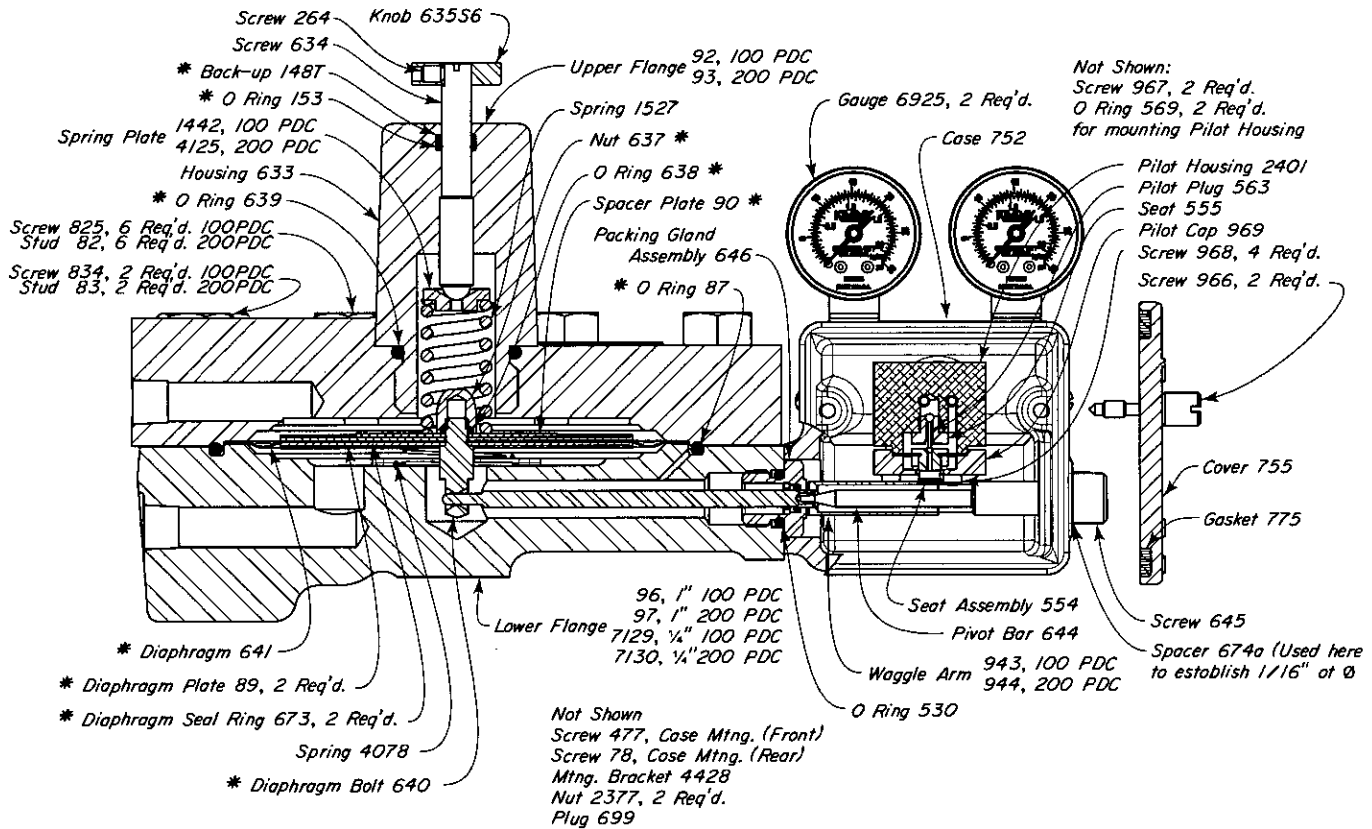
All openings are tapped 1/4" NPT.

*These are recommended spare parts and are stocked as repair kits.

PILOTS AND ACCESSORIES



100 & 200 PDC
STEEL



PILOTS AVAILABLE:

| CAT. NO. | CONN. SIZE* | PILOT | MAX W.P. | OPER. PRES. | KIT |
|----------|-------------|---------|----------|-------------|-----|
| FAA1 | 1/4" | 100 PDC | 1000 | 1000 | RIJ |
| FAB1 | 1/4" | 200 PDC | 2000 | 2000 | RIJ |
| FAA2 | 1" | 100 PDC | 1000 | 1000 | RIJ |
| FAB2 | 1" | 200 PDC | 2000 | 2000 | RIJ |

NOTES:

*These are recommended spare parts and are stocked as repair kits.

Bottom flange connection only

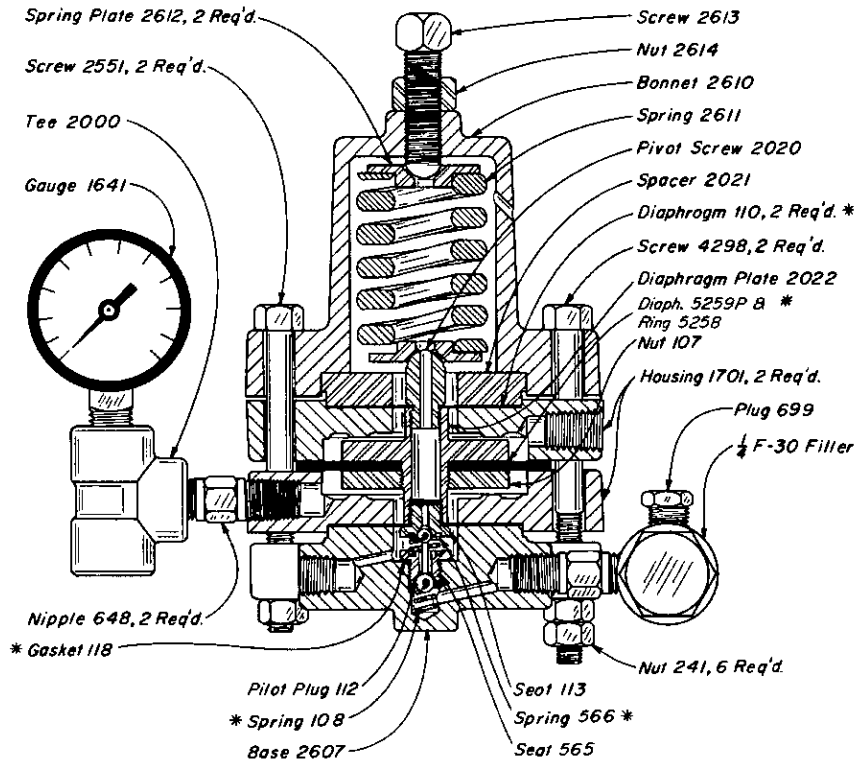
Kimray is an ISO 9001- certified manufacturer.

Y:175.2
Issued 8/13

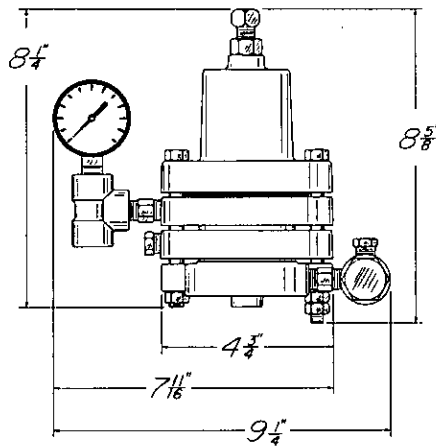
www.kimray.com

Current Revision:
Correct Connection Size

LIQUID DIFFERENTIAL PRESSURE PILOT
DUCTILE



PILOT DIMENSIONS



PILOTS AVAILABLE:

| CAT. NO. | PILOT | MAX W.P. | OPER. PRES. | KIT |
|----------|-------------|----------|-------------|-----|
| AHP | 30 PG LDP-D | 300 | 300 | RSR |

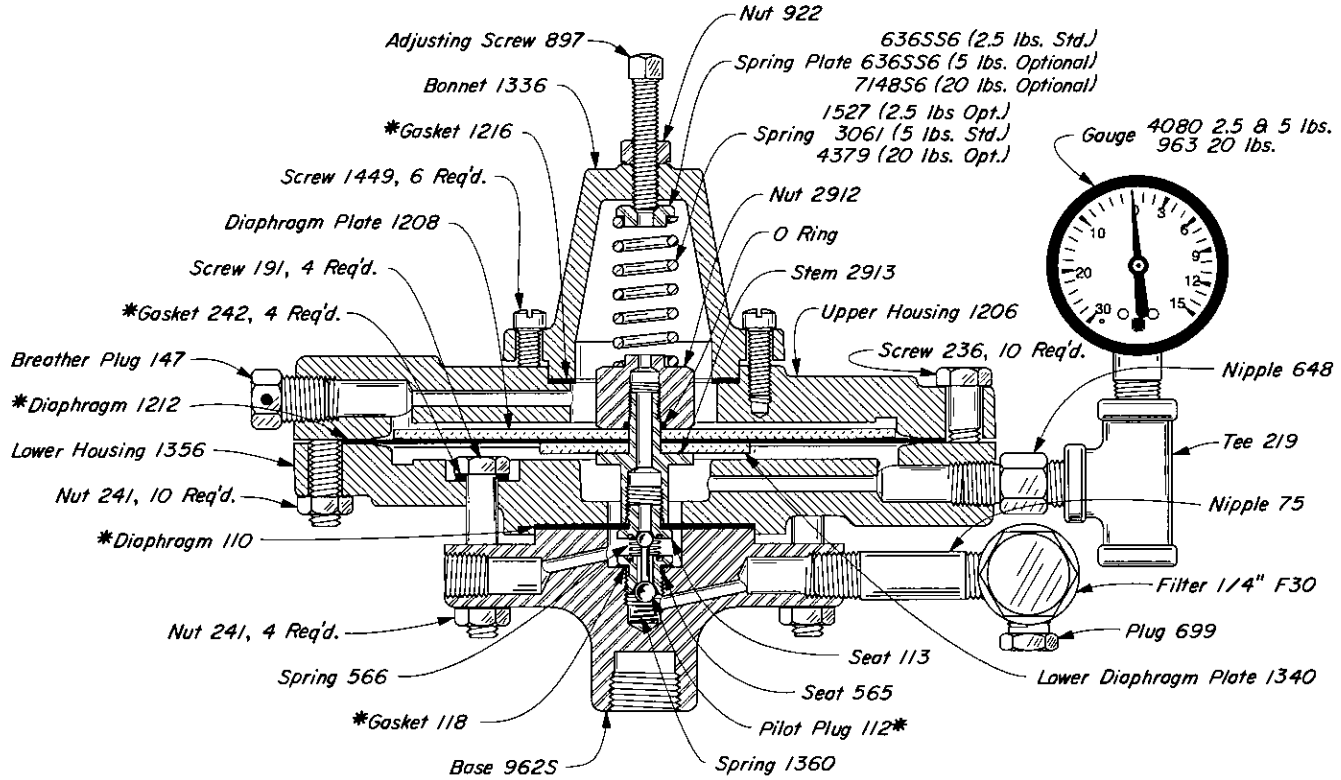
NOTES:

All openings are tapped 1/4" N.P.T.

*These are recommended spare parts and are stocked as repair kits.

Kimray is an ISO 9001- certified manufacturer.

OUNCES TO ATMOSPHERE PILOT
CAST IRON

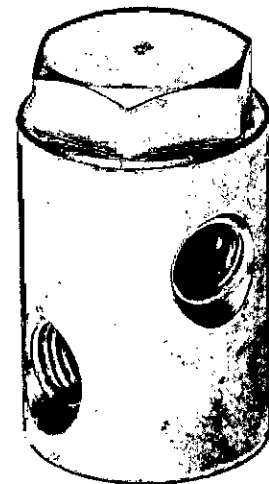
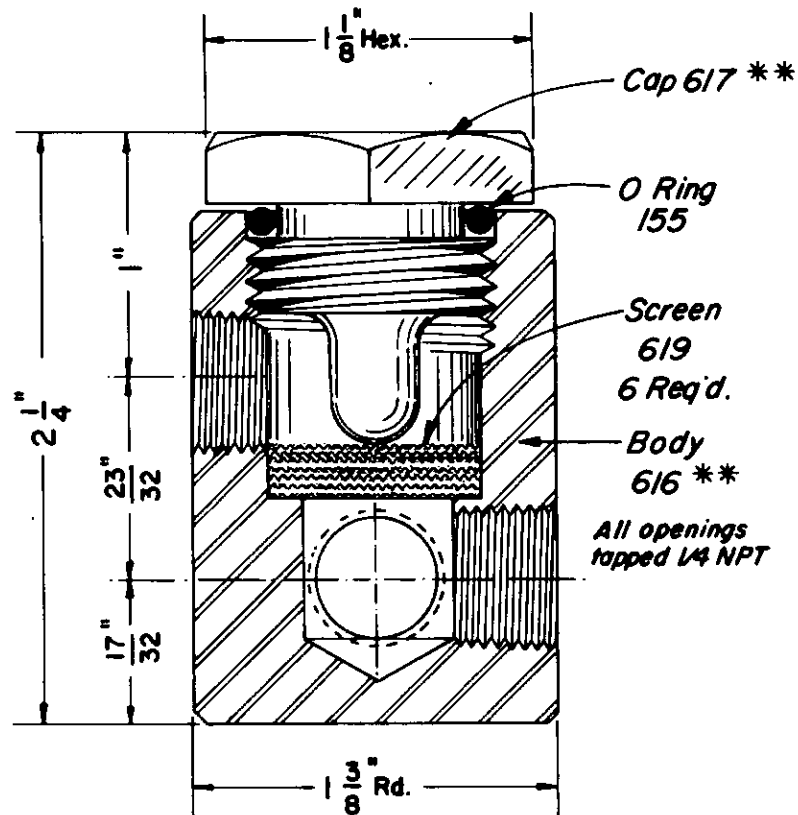


PILOTS AVAILABLE:

| CAT. NO. | PILOT | MAX W.P. | OPER. PRES. | KIT |
|----------|-----------|----------|-------------|-----|
| AHK-2.5 | 0.2 PG OA | 175 | 2.5 | RWO |
| AHK-5 | 0.5 PG OA | 175 | 5 | RWO |
| AHK-20 | 2 PG OA | 175 | 20 | RWO |

NOTES:

*These are recommended spare parts and are stocked as repair kits.



FILTERS AVAILABLE:

| CAT. NO. | FILTER | MAX. W.P. | OPER. PRESS. |
|----------|---------------|-----------|--------------|
| YAS | 1/4 F 30 | 300 | 300 |
| YASS6 | 1/4 F 100 SS6 | 1000 | 1000 |

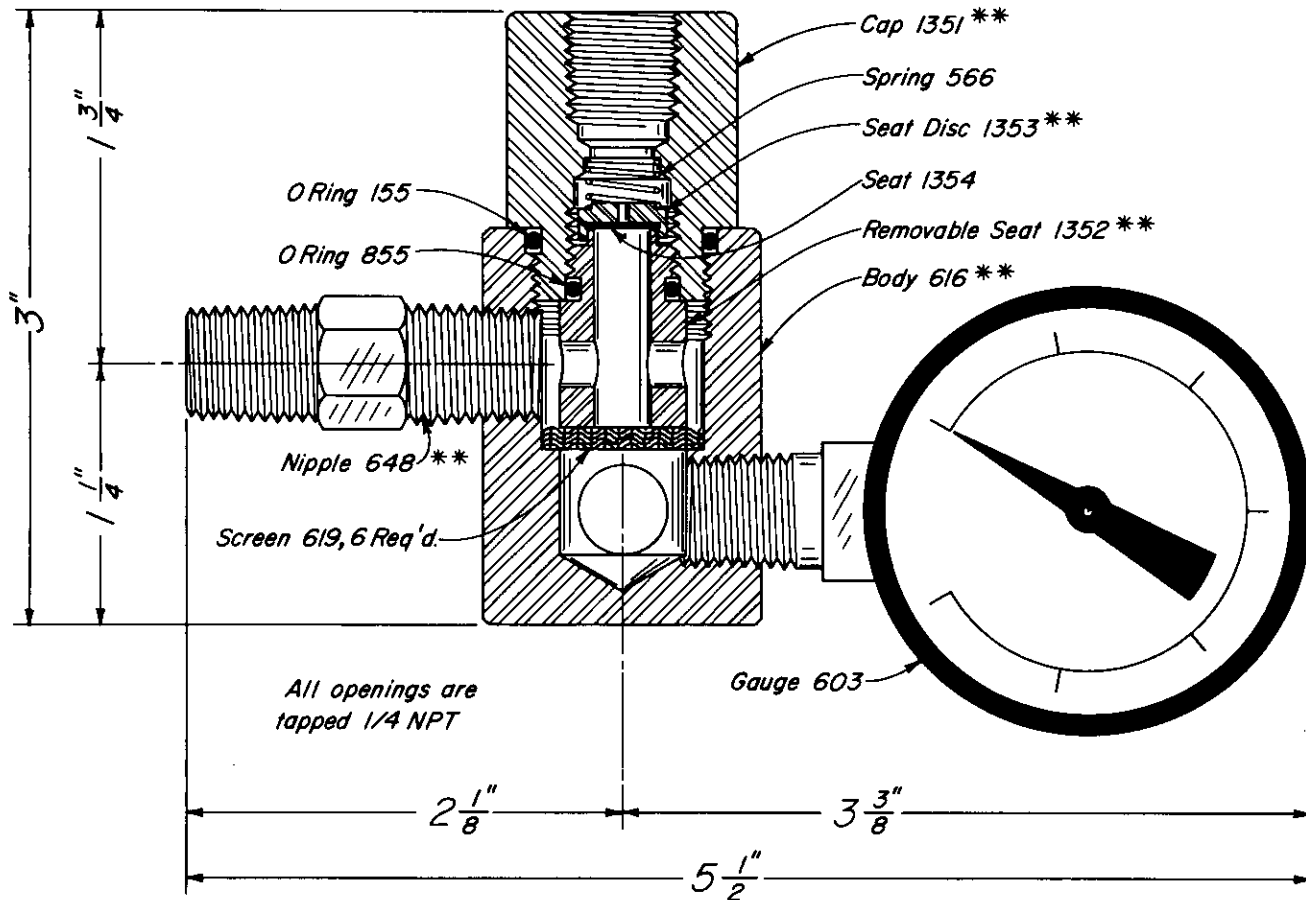
**These steel parts are available in 316 stainless steel.

Kimray is an ISO 9001- certified manufacturer.

FILTER POP VALVES

APPLICATIONS:

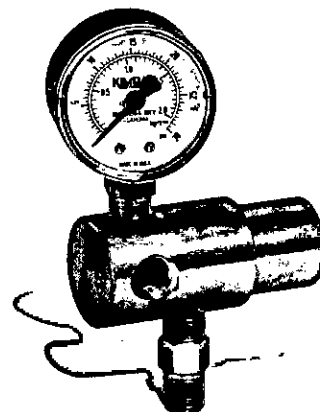
Provides a small pressure relief at 30 psig.
For use with the TC-12 Temperature Controller.
(See catalog section "H" for Temperature Controllers).



FILTER POP AVAILABLE:

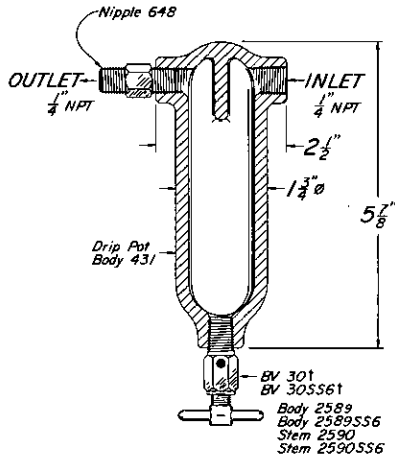
| CAT. NO. | PILOT | MAX. W.P. | OPER. PRESS. |
|----------|---------------|-----------|--------------|
| YBG | 1/4 FPV 3 | 30 | 30 |
| YBGSS6 | 1/4 FPV 3 SS6 | 30 | 30 |

**These steel parts are available in 316 stainless steel.

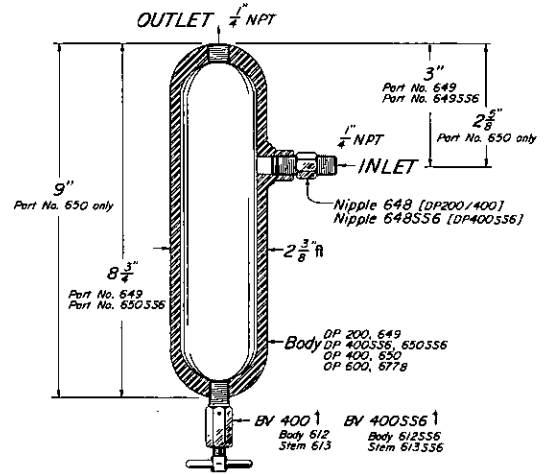


Kimray is an ISO 9001- certified manufacturer.

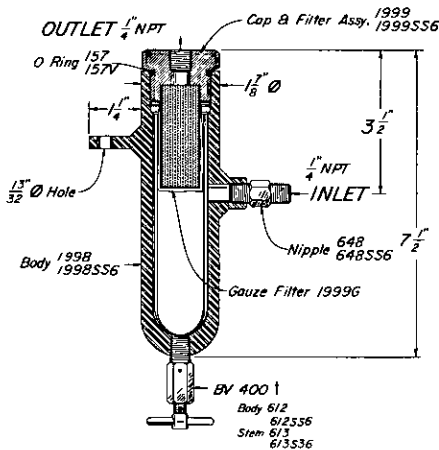
**DP-30
LOW PRESSURE
DRIP POT
DUCTILE**



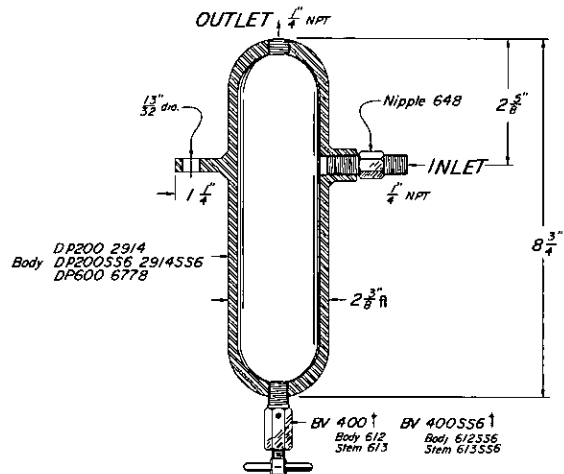
**DP-200/400/400SS6/600
HIGH PRESSURE
DRIP POT
STEEL & 316 SS**



**FD 200/200SS6
FILTER DRIP POT
STEEL & 316SS**



**DP 200/600 SPECIAL
DRIP POT
STEEL**



DRIP POTS AVAILABLE:

| CAT. NO. | DRIP POT | MAX. W.P. | OPER. PRESS. |
|----------|-----------|-----------|--------------|
| YAM | DP 30 | 300 | 300 |
| YAN | DP 200 | 2000 | 2000 |
| YAO | DP 200*S | 2000 | 2000 |
| YAR | FD 200 | 2000 | 2000 |
| YARSS6 | FD 200SS6 | 2000 | 2000 |
| YAP | DP 400 | 4000 | 4000 |
| YAPSS6 | DP 400SS6 | 4000 | 4000 |
| YCE | DP 600 | 6000 | 6000 |
| YCD | DP 600 * | 6000 | 6000 |

*Special

Current Revision:
Change Logo

†BLEED VALVES AVAILABLE SEPARATELY:

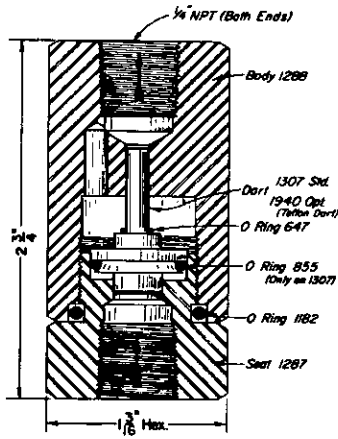
| CAT. NO. | BLEED VALVE | MAXIMUM PRESSURE |
|----------|-------------|------------------|
| YBF | BV 400 | 4000 |
| YBFSS6 | BV 400SS6 | 4000 |
| YBF1 | BV 30 | 300 |
| YBF1-SS6 | BV 30SS6 | 300 |

All openings tapped 1/4" NPT.

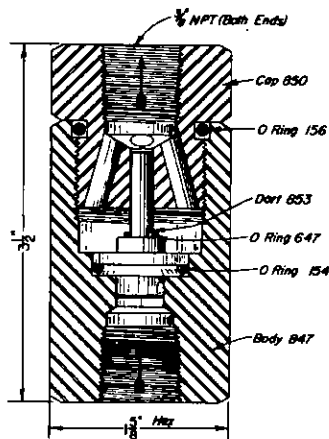
Kimray is an ISO 9001- certified manufacturer.

CHECK VALVES

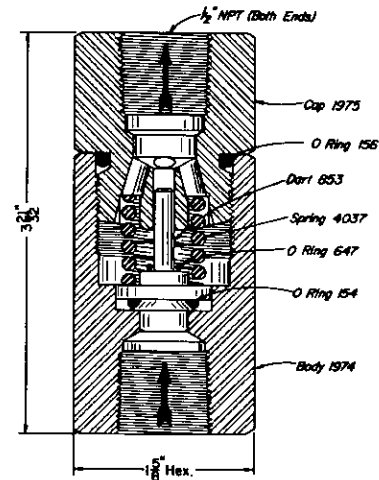
1/4 CV 15A
STEEL



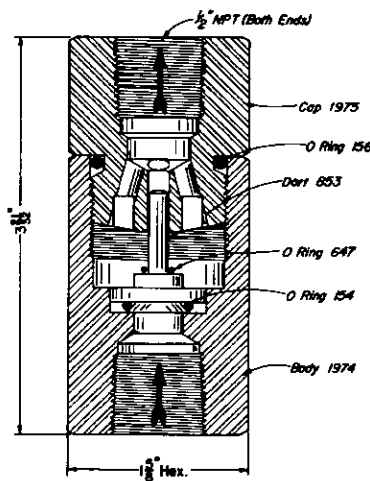
3/8 CV 15
STEEL



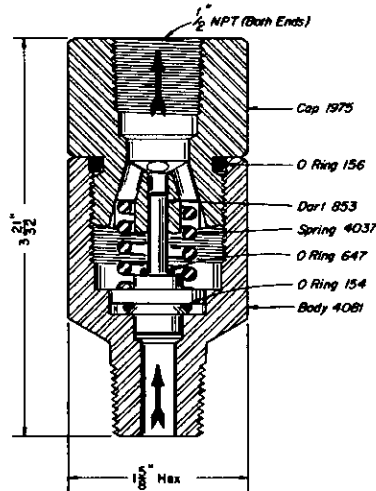
1/2 CV 15 w/S
STEEL



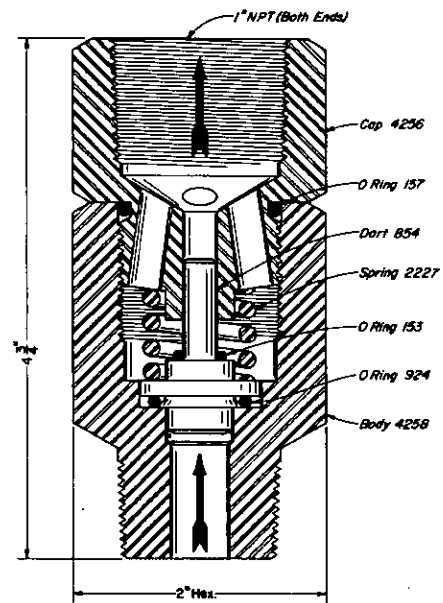
1/2 CV 15
STEEL



1/2 CV 15 w/S-M
STEEL



1 CV 15 w/S-M
STEEL



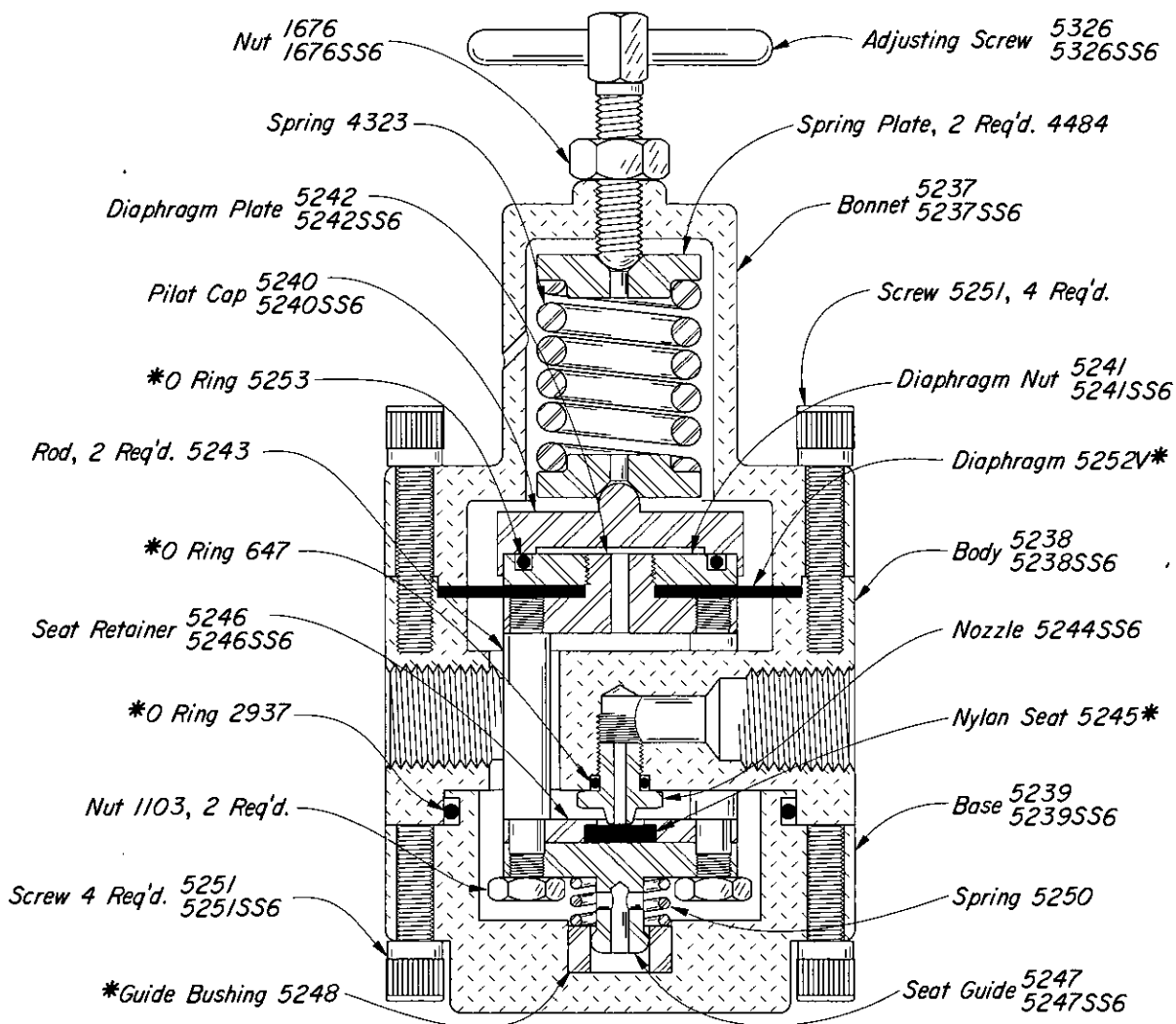
CHECK VALVES AVAILABLE:

| CAT. NO. | LINE SIZE | CHECK VALVE | MAX. W.P. | OPER. PRESS. |
|----------|-----------|------------------|-----------|--------------|
| YAU | 1/4" | 1/4 CV 15A | 1500 | 1500 |
| YAU1 | 1/4" | 1/4 CV 15A w/TD* | 1500 | 1500 |
| YAW | 3/8" | 3/8 CV 15 | 1500 | 1500 |
| YBC | 1/2" | 1/2 CV 15 w/S-M* | 1500 | 1500 |
| YBD | 1/2" | 1/2 CV 15 w/S* | 1500 | 1500 |
| YBE | 1/2" | 1/2 CV 15 | 1500 | 1500 |
| YBB | 1" | 1 CV 15 w/S-M* | 1500 | 1500 |

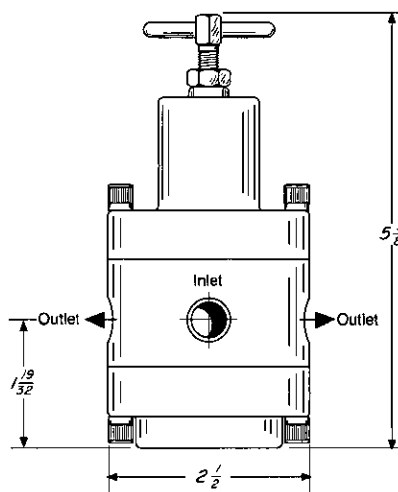
NOTES:

- *With Teflon Dart
- *With Spring and 1/2" NPT Male Connection
- *With Spring
- *With Spring and 1" NPT Male Connection

SUPPLY GAS REGULATOR
ALUMINUM



REGULATOR
DIMENSIONS



Kimray is an ISO 9001- certified manufacturer.

REGULATORS AVAILABLE:

| CAT. NO. | REG. | MATERIAL | INLET PRESS. | OUTLET PRESS. | KIT |
|----------|------------|----------|--------------|---------------|-----|
| YAV | 12 SGR | ALUM. | 4000 max. | 10-250 | RSP |
| YAVSS6 | 12 SGR-SS6 | 316 SS | 4000 max. | 10-250 | RSP |

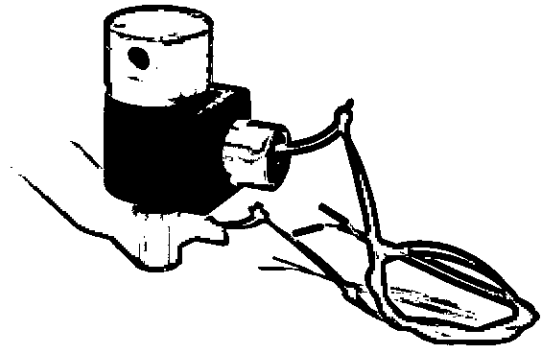
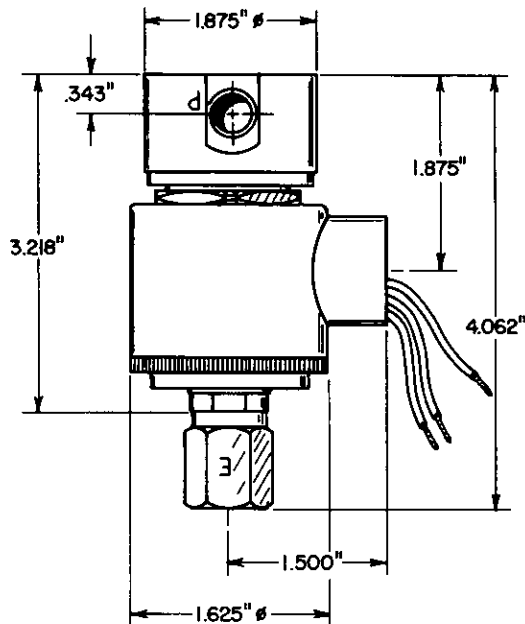
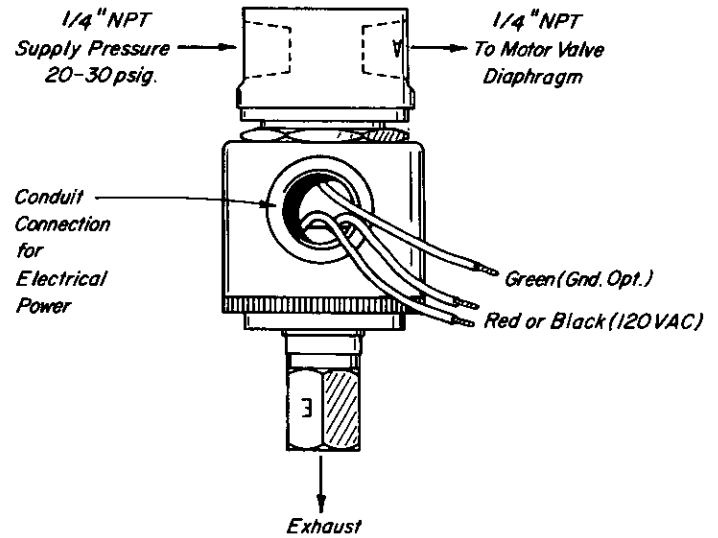
*These parts are recommended spare parts and are stocked as repair kits.

APPLICATIONS:

For electrical control of a pneumatic pressure used to open and close a motor valve.

SPECIFICATIONS:

Voltage 110/120 VAC 50/60 HZ
 Current (inrush) .3 amp
 Current (continuous) .15 amp
 Watts 10
 Maximum supply pressure 100 psig
 Normally closed, with output vented
 1/2" conduit connections
 1/4" NPT pressure connections
 Explosion proof
 1/16" orifice diameter
 Weight 1.4 lbs.
 Body 316 SS
 Electrical housing cadmium plated steel



PILOTS AVAILABLE:

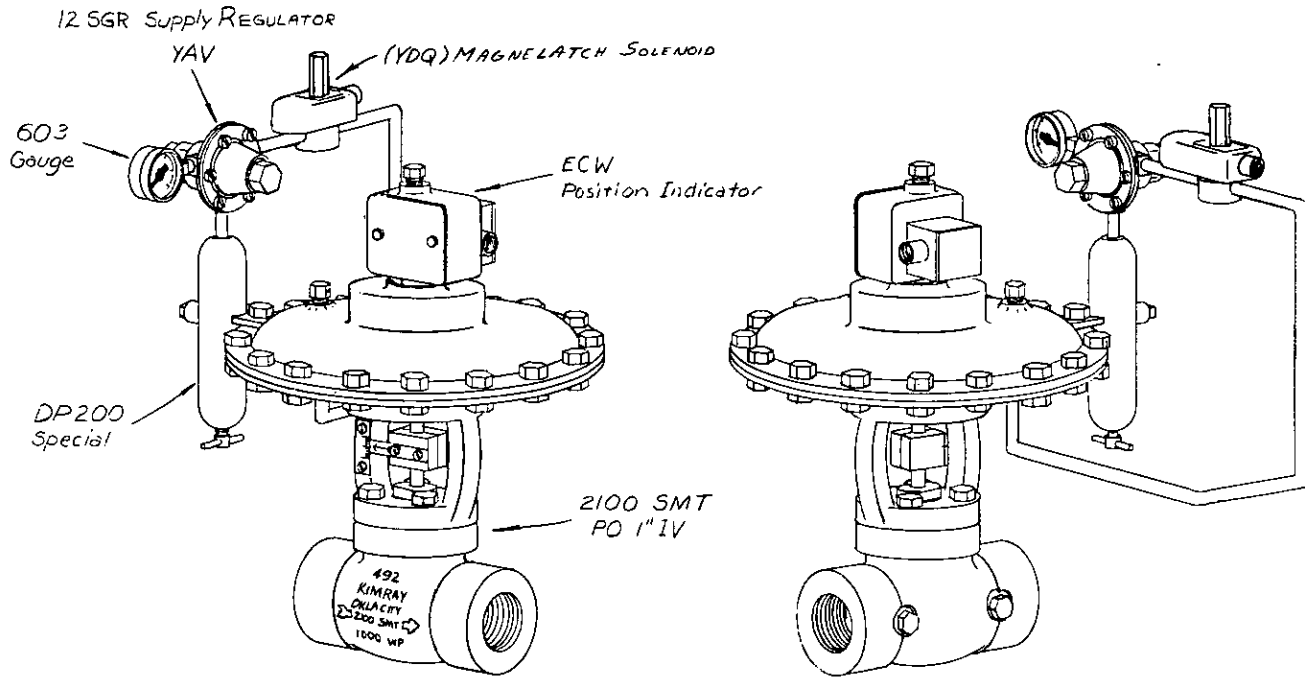
| CAT. NO. | SOLENOID | MATERIAL | INLET PRESS. | OUTLET PRESS. |
|----------|---------------|----------|--------------|---------------|
| YDF | 120 VAC E.P.* | 316 SS | 0-100 | 0-100 |

*Explosion Proof

NOTES:

MAGNELATCH SOLENOID

2100 SMT PO (1" I.V.)
w/POSITION INDICATOR & MAGNELATCH SOLENOID
STEEL



TYPICAL INSTALLATIONS

SOLENOID AVAILABLE:

| CAT. NO. | SOLENOID | MAX. W.P. | OPER. PRESS. |
|----------|------------|-----------|--------------|
| YDF3 | MAGNELATCH | 100 | 100 |

NOTES:

Company or product names mentioned may be trademarks of their respective companies

Kimray is an ISO 9001- certified manufacturer.

APPLICATIONS:

The Kimray Air Motor is used to operate shutters on air cooled heat exchangers and similar equipment. This unit can be used wherever a linear movement produced by a changing pneumatic signal is required.

FEATURES:

- Aluminum housing
- 5 1/2" inch stroke
- Operates in any position
- Stainless steel stem and pins

WORKING PRESSURE:

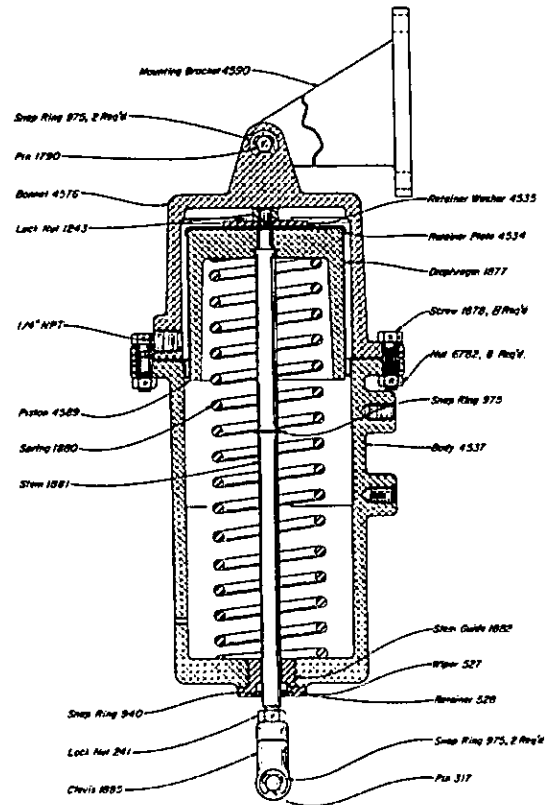
125 psig

DIAPHRAGM PRESSURE:

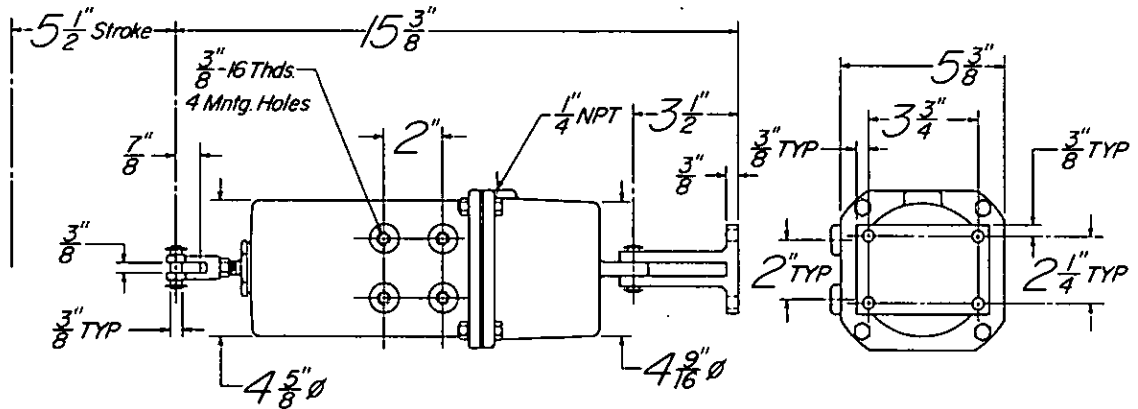
(Against Spring Load)

- 1 1/2" psig to start movement
- 18 psig to fully stroke

(Additional pressure required to overcome external load)

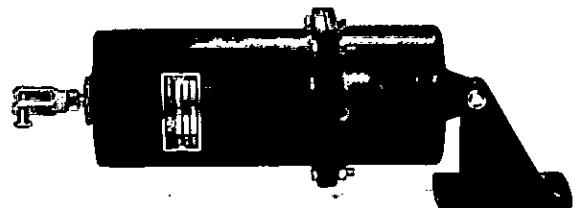


455AL DIMENSIONS



AIR MOTOR AVAILABLE:

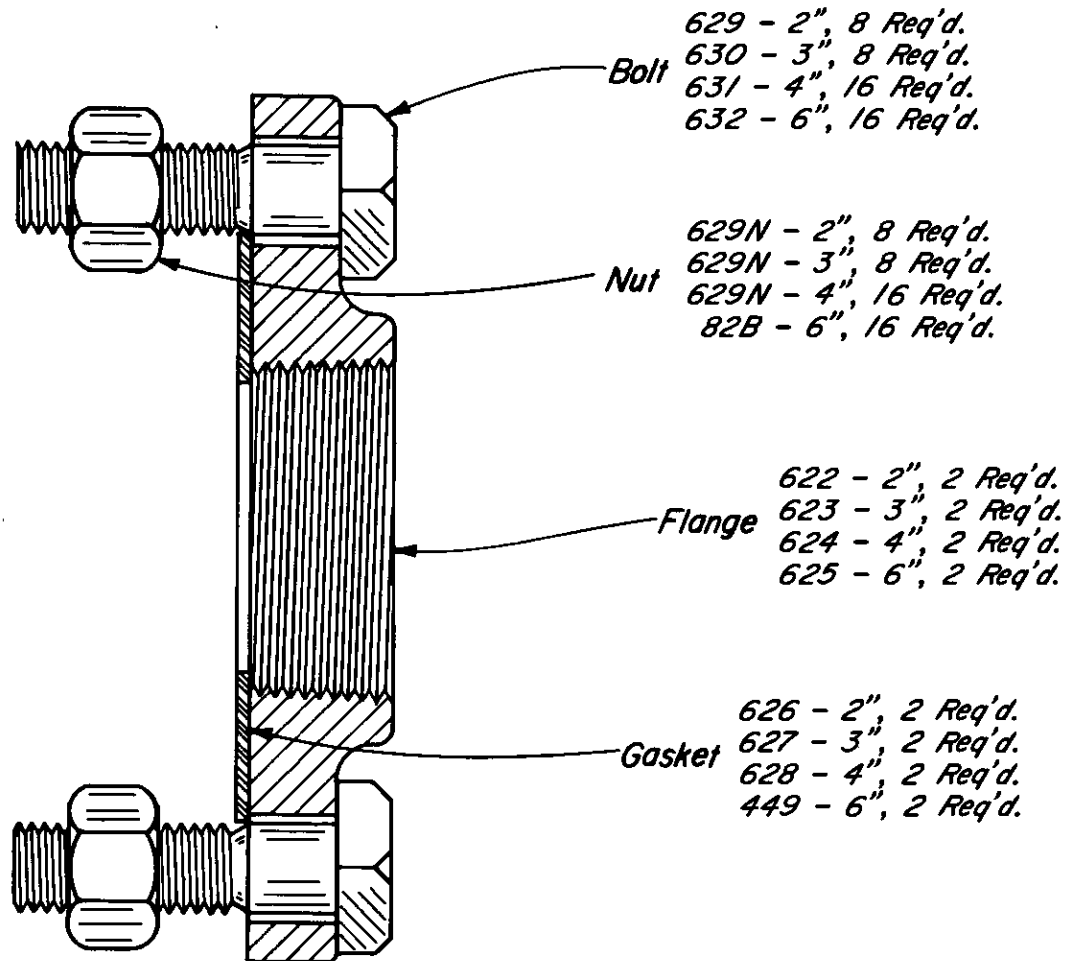
| CAT. NO. | AIR MOTOR | MAT'L. | MAX W.P. | OPER PRES |
|----------|-----------------|--------|----------|-----------|
| YAX1 | 455AL AIR MOTOR | ALUM | 125 | 125 |



Kimray is an ISO 9001- certified manufacturer.

APPLICATION:

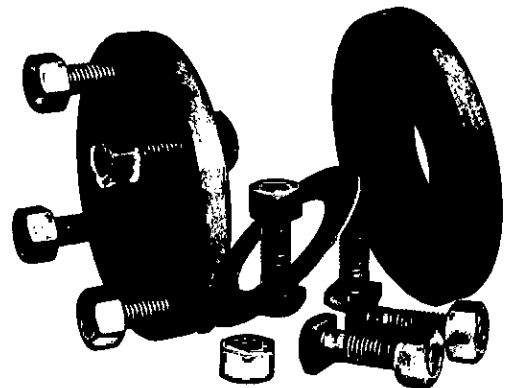
Provides for installation of flanged valves in a screwed piping system.



COMPANION FLANGE SETS AVAILABLE:

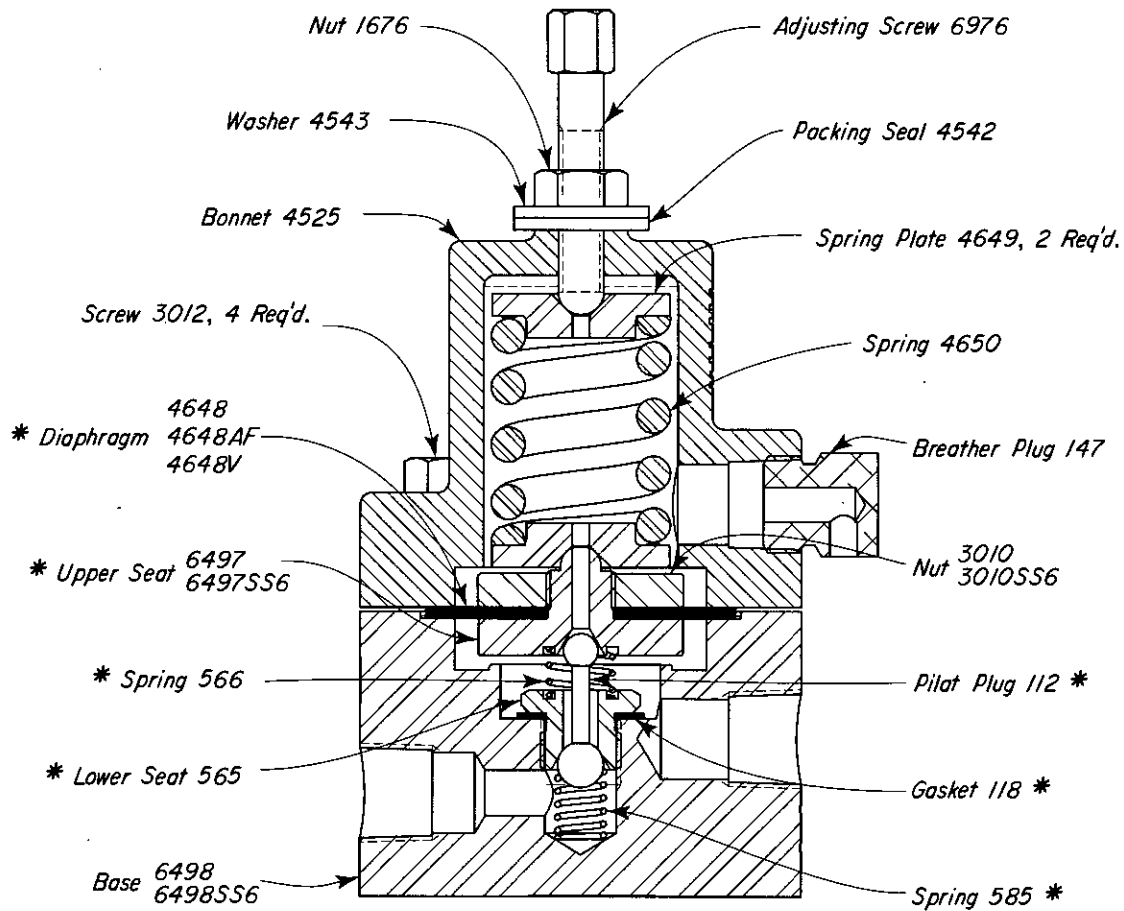
| CAT. NO. | LINE SIZE | MAX. W.P. | OPER. PRESS. |
|----------|-----------|-----------|--------------|
| YFA | 2" | 125 | 125 |
| YFB | 3" | 125 | 125 |
| YFC | 4" | 125 | 125 |
| YFD | 6" | 125 | 125 |

The Companion Flange Sets listed in the above chart are for use on the FGT, FMT & FMA bodies. Hardware and gaskets are provided with each set ordered. To order Companion Flange Set specify: (Line size & catalog number) Companion Flange Set. Example: "2" YFA Companion Flange Set."

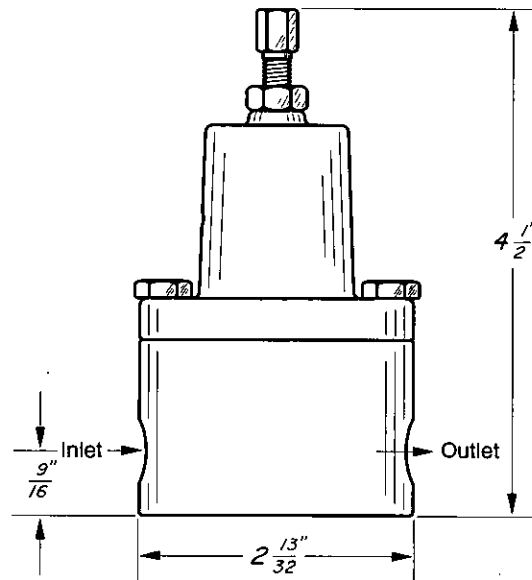


Kimray is an ISO 9001- certified manufacturer.

SENSE LINE PROTECTOR
STEEL



PILOT
DIMENSIONS



PILOTS AVAILABLE:

| CAT. NO. | PILOT | MATERIAL | OPER. PRESS. | OUTLET PRESS. | KIT |
|----------|-----------|----------|--------------|---------------|--------|
| YDM | 30 PR | STEEL | 1000 | 300 | RMV |
| YDMSS6 | 30 PR-SS6 | 316SS | 1000 | 300 | RMVSS6 |

NOTES

All openings are tapped $\frac{1}{4}$ " N.P.T.

*These parts are recommended spare parts and are stocked as repair kits.

Kimray is an ISO 9001- certified manufacturer.