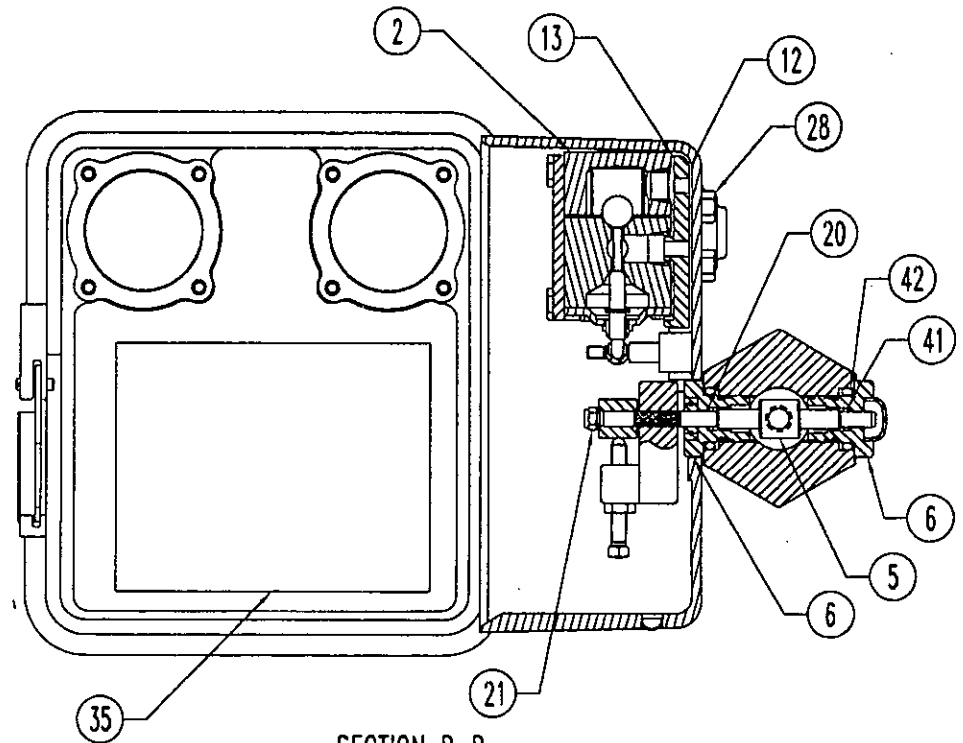
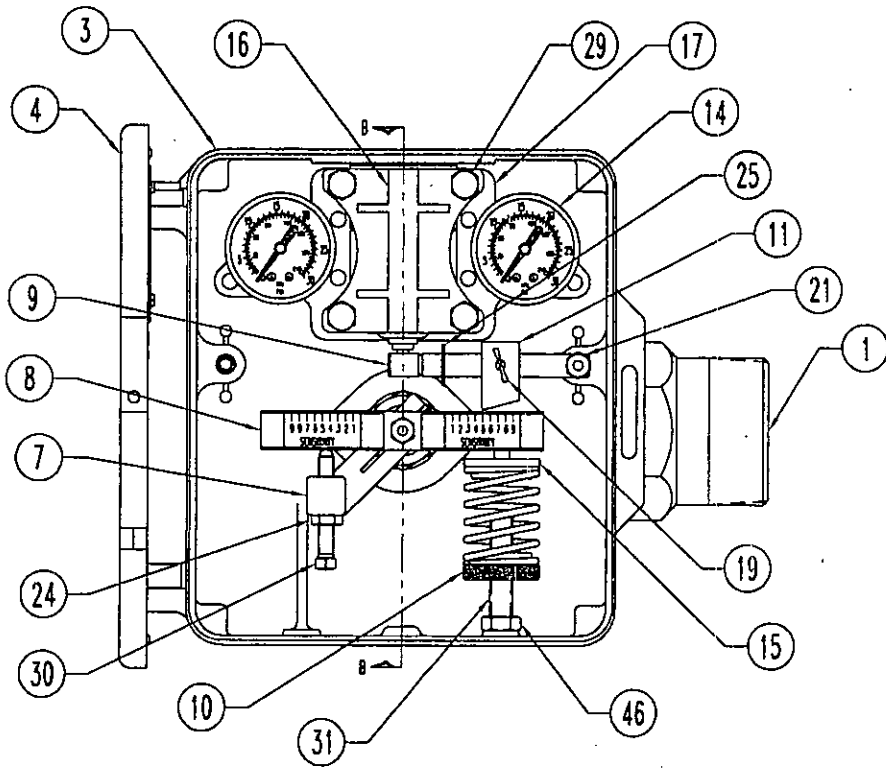


SERIES 1001 LIQUID LEVEL CONTROLLER
 (SHOWN WITH PNEUMATIC PILOT)

SHEET 1 OF 7

DRAWN BY GSG/JOH	DATE 9/20/05	DCH RELEASE NO. 13763	DRAWING NO. 1001-2160
---------------------	-----------------	--------------------------	--------------------------





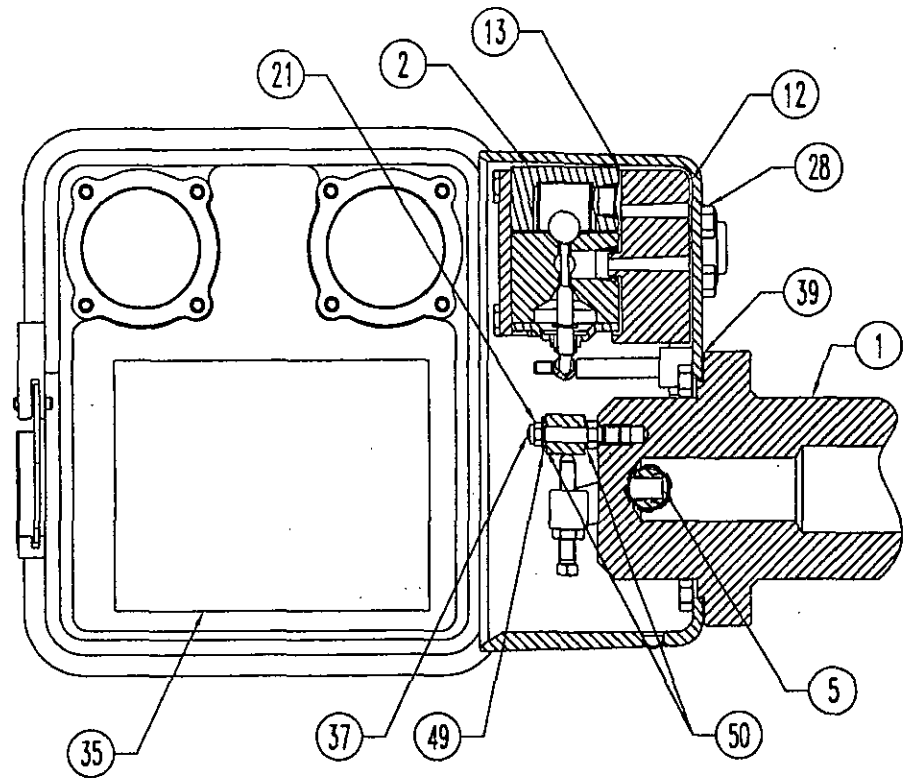
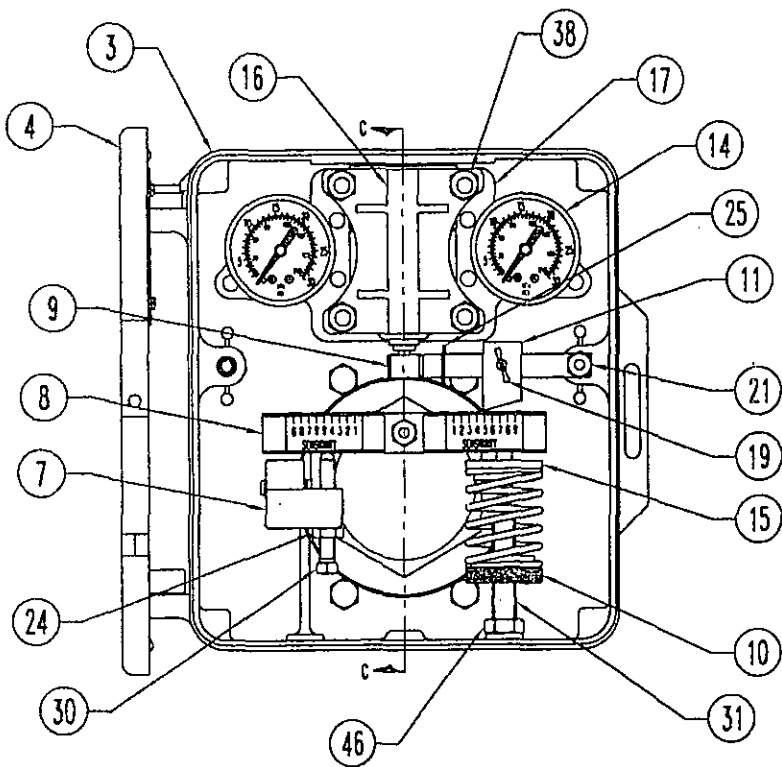
SECTION B-B

SERIES 1001A LIQUID LEVEL CONTROLLER
(SHOWN WITH PNEUMATIC PILOT)

SHEET 2 OF 7

DESIGNED BY GSG/JOH	DATE 9/20/05	DCM RELEASE NO. 13763	DRAWING NO. 1001-2160
------------------------	-----------------	--------------------------	--------------------------





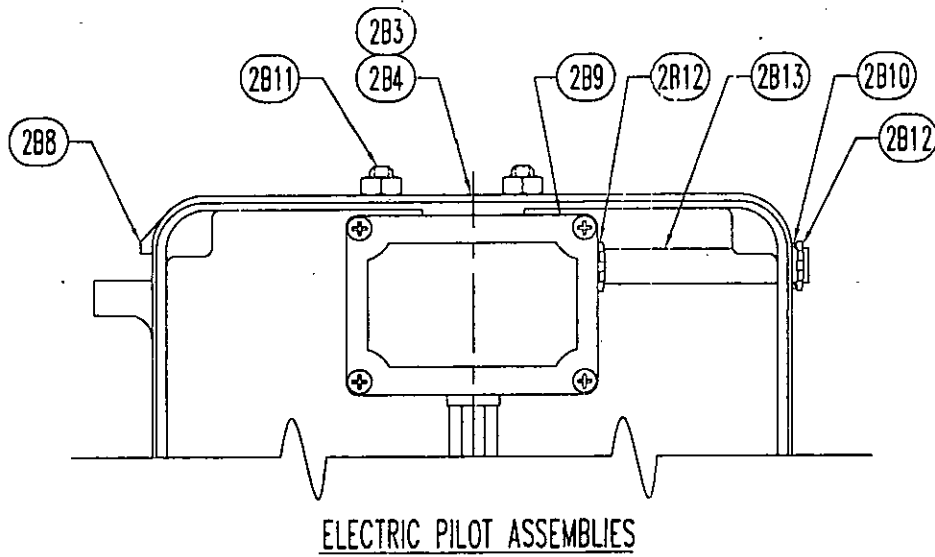
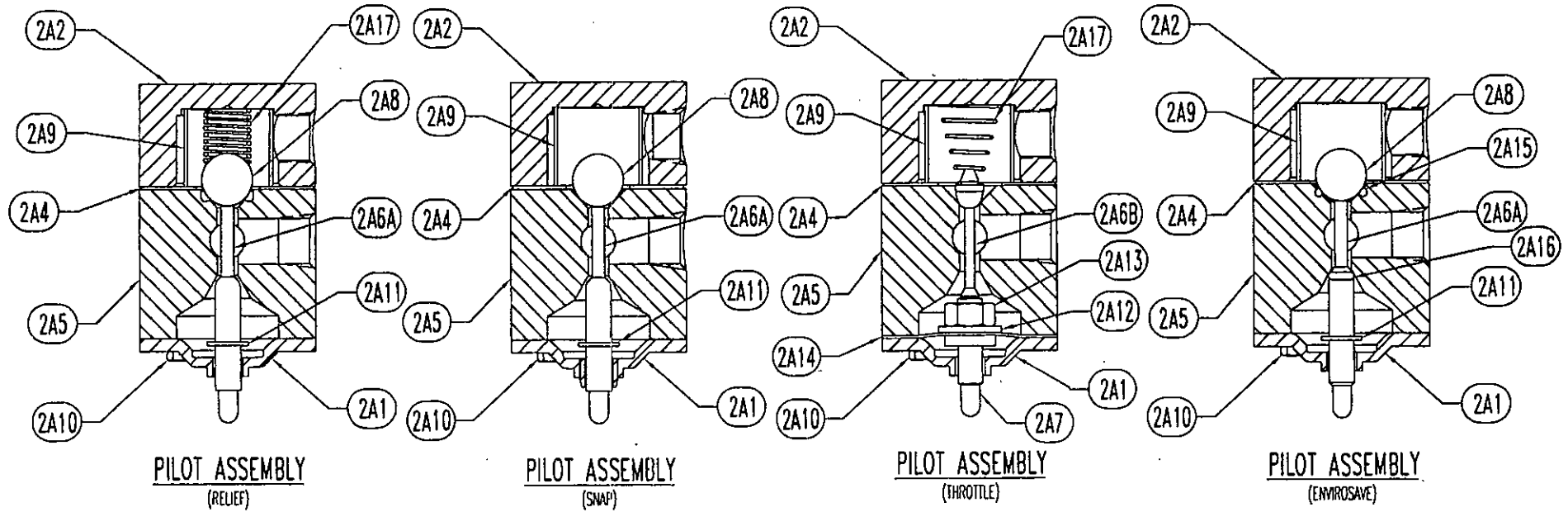
SECTION C-C

SERIES 1001XL LIQUID LEVEL CONTROLLER
 (SHOWN WITH PNEUMATIC PILOT)

SHEET 3 OF 7

DESIGNED BY CSC/JOH	DATE 9/20/05	SCHEMATIC RELEASE NO. 13763	DRAWING NO. 1001-2160
------------------------	-----------------	--------------------------------	--------------------------

FOR ORISEAL



PILOT ASSEMBLIES

ITEM	SIZE	END CONNECTION	SCHEDULE OR AMS CLASS	1901/1001A			1901L		QTY
				ASTM A696	ASTM A278 TYPE 316	ASTM A276 TYPE 316L	ASTM A216 CR WCC	ASTM A351 CR CF8M	
1	1.50"	NPT	2000 WP		421997-1001-1610				
			3000 WP	410572-1001-879					
		FLANGED	150 RF	428742-1001-2149					
			150 RTJ						
			300 RF	423133-1001-1790					
			300 RTJ						
			600 RF						
			600 RTJ						
			900 RF						
			900 RTJ	423486-1001-1789					
			1500 RF						
			1500 RTJ						
			2500 RF						
			2500 RTJ	424760-1001-2063					
			NPT	1500 CLASS					
	2500 CLASS	412766-1001-5		418446-1001-693			421123-1001-1552		
	BUTTWELD	SCH 40	413320-1001-287			420560-1001-1436			
		SCH 60	413104-1001-41			420561-1001-1437			
		SCH 160	418502-1001-255						
	FLANGED	150 RF	413474-1001-124	418522-1001-712	412124-1001-1084	420567-1001-1443	428663-1001-2153		
150 RTJ		413044-1001-590			420568-1001-1444				
300 RF		413464-1001-54	418762-1001-762	412029-1001-1065	420569-1001-1445	423519-1001-1811			
300 RTJ		410728-1001-519			420570-1001-1446				
600 RF		412770-1001-10	418523-1001-713	412030-1001-1066	420571-1001-1447	423926-1001-1879			
600 RTJ		412998-1001-69	423772-1001-1849		420572-1001-1448	423927-1001-1880			
900 RF		411915-1001-487	424404-1001-2016		420573-1001-1449				
900 RTJ		413480-1001-178	410598-1001-882		420574-1001-1450				
1500 RF		418647-1001-733			420575-1001-1451				
1500 RTJ		413782-1001-213	420451-1001-1408		420576-1001-1452				
2500 RF									
2500 RTJ		413781-1001-212			420577-1001-1453				
FLANGED		1500 CLASS							
	2500 CLASS	423921-1001-1917							
	150 RF	414353-1001-392	418201-1001-855		420578-1001-1454				
	150 RTJ	414364-1001-575			420579-1001-1455				
	300 RF	413009-1001-56	423522-1001-1814		420580-1001-1456				
	300 RTJ	410568-1001-586			420581-1001-1457				
	600 RF	414152-1001-55	423517-1001-1810		420982-1001-1519				
	600 RTJ	414716-1001-490			420583-1001-1459				
	900 RF	410283-1001-436			420584-1001-1460				
	900 RTJ	414712-1001-462			420585-1001-1461				
	1500 RF	418908-1001-759			420586-1001-1462				
	1500 RTJ	414856-1001-610			420587-1001-1463				
	2500 RF								
	2500 RTJ	413378-1001-792			420588-1001-1464				

ITEM	SIZE	END CONNECTION	SCHEDULE OR AMS CLASS	1901/1001A		1901L		QTY
				ASTM A696	ASTM A276 TYPE 316	ASTM A216 CR WCC	ASTM A351 CR CF8M	
CONT.	4.00"	FLANGED	150 RF	413314-1001-135	410671-1001-887	420343-1001-1335	422245-1001-1651	
			150 RTJ			420589-1001-1465		
			300 RF	413315-1001-136	421008-1001-1596	420590-1001-1466		
			300 RTJ	414416-1001-419		420591-1001-1467		
			600 RF	412997-1001-68	411706-1001-991	420537-1001-1431		
			600 RTJ	413578-1001-128		420529-1001-1430		
			900 RF	411397-1001-453		420592-1001-1468		
			900 RTJ	413574-1001-98	420428-1001-1404	420593-1001-1469		
			1500 RF	418908-1001-760		420594-1001-1470		
			1500 RTJ			420595-1001-1471		
			2500 RF					
			2500 RTJ	410971-1001-793	421877-1001-1547	420596-1001-1472		
			150 RF	411991-1001-491		420597-1001-1473		
			150 RTJ			420598-1001-1474		
			300 RF	413345-1001-1196		420599-1001-1475		
	300 RTJ			420600-1001-1476				
	600 RF	410300-1001-483		420601-1001-1477				
	600 RTJ	418785-1001-772		420602-1001-1478				
	900 RF							
	900 RTJ	424446-1001-2027		423744-1001-1930				
	1500 RF							
	1500 RTJ							
	2500 RF							
	2500 RTJ							
	8.00"	FLANGED	150 RF	422972-1001-1737				
			150 RTJ					
			300 RF	420805-1001-1511		422950-1001-1735		
			300 RTJ					
			600 RF					
			600 RTJ	413420-1001-1205		422720-1001-1716		
			900 RF					
			900 RTJ					
			1500 RF					
			1500 RTJ					

SHEET 5 OF 7

DESIGN BY: GSC/JCH DATE: 9/20/05 DCH RELEASE NO.: 13763 DRAWING NO.: 1001-2160

ORRISSEAL

ITEM	DESCRIPTION	MATERIAL	STOCK NUMBER	QTY.	ITEM	DESCRIPTION	MATERIAL	STOCK NUMBER	QTY.
PILOT ASSEMBLY	ROCKET	ALUMINUM/ALUMINUM	41745	1	28	281 SWITCH PUMP PUMP	PER MANUFACTURER	41843	1
		ALUMINUM/ALUMINUM	41751			282 SWITCH PUMP PUMP EXPLOSION PROOF	41837		
	ALUMINUM/ALUMINUM	41759	283 SWITCH PUMP PUMP HERMETICALLY SEALED (NO. SWRM)			42535			
	ALUMINUM/ALUMINUM	41761	284 SWITCH PUMP PUMP HERMETICALLY SEALED (NO. SWRM)			42536			
	ALUMINUM/ALUMINUM	41777	285 SWITCH PUMP PUMP			41840			
	ALUMINUM/ALUMINUM	41789	286 SWITCH PUMP PUMP EXPLOSION PROOF			41845			
	ALUMINUM/ALUMINUM	41790	287 SWITCH PUMP PUMP HIGH CAPACITY EXPLOSION PROOF			42518			
	ALUMINUM/ALUMINUM	41790	288 CASE LIC ELECTRIC			41207-100147			
	ALUMINUM/ALUMINUM	41790	289 SWITCH ELECTRIC PUMP EXPLOSION PROOF			41532-100-0			
	ALUMINUM/ALUMINUM	41790	290 SWITCH ELECTRIC PUMP SPURSE PROOF			41803-100-0			
PILOT UPPER	ROCKET	ALUMINUM/ALUMINUM	41751-100-13	1	3	291 SWITCH CAP RET 10-27 X 0.50	PER MANUFACTURER	41821	2
		ALUMINUM/ALUMINUM	41759-100-1191			292 APPLE PPL SCR 40 0.50 X 1.00	41900		
	ALUMINUM/ALUMINUM	41759-100-1075	1001 PNEUMATIC ASSEMBLY			41759-100-17			
	ALUMINUM/ALUMINUM	41759-100-1075	1002 ELECTRIC ASSEMBLY			41787-100-42			
	ALUMINUM/ALUMINUM	41759-100-1075	1003A ASSY F/PNEUMATIC L/WARDED			41830-100-1015			
	ALUMINUM/ALUMINUM	41759-100-1075	1003B ASSY F/PNEUMATIC SEA SW			41854-100-1011			
	ALUMINUM/ALUMINUM	41759-100-1075	1004 LATCHED ASSY F/PNEUMATIC L/WARDED			42289-100-1028			
	ALUMINUM/ALUMINUM	41759-100-1075	1004A LATCHED ASSY F/PNEUMATIC SEA SW			42070-100-2105			
	ALUMINUM/ALUMINUM	41759-100-1075	1004B LATCHED ASSY F/PNEUMATIC SEA SW			42040-100-2115			
	ALUMINUM/ALUMINUM	41759-100-1075	1004C LATCHED ASSY F/PNEUMATIC SEA SW			42039-100-2113			
PILOT LOWER	ROCKET	ALUMINUM/ALUMINUM	41759-100-1075	1	4	1004D ASSY F/PNEUMATIC L/WARDED	ALUMINUM	42018-100-1327	1
		ALUMINUM/ALUMINUM	41759-100-1075			1004E ASSY F/PNEUMATIC SEA SW	42018-100-1381		
	ALUMINUM/ALUMINUM	41759-100-1075	1004F ASSY F/PNEUMATIC SEA SW			42018-100-1381			
	ALUMINUM/ALUMINUM	41759-100-1075	1004G LATCHED ASSY F/PNEUMATIC L/WARDED			42018-100-2103			
	ALUMINUM/ALUMINUM	41759-100-1075	1004H LATCHED ASSY F/PNEUMATIC SEA SW			42018-100-2119			
	ALUMINUM/ALUMINUM	41759-100-1075	1004I LATCHED ASSY F/PNEUMATIC SEA SW			42018-100-2117			
	ALUMINUM/ALUMINUM	41759-100-1075	1004J LATCHED ASSY F/PNEUMATIC SEA SW			41782-100-20			
	ALUMINUM/ALUMINUM	41759-100-1075	1004K ASSY F/PNEUMATIC SEA SW			42059-100-2104			
	ALUMINUM/ALUMINUM	41759-100-1075	1004L ASSY F/PNEUMATIC SEA SW			42059-100-2104			
	ALUMINUM/ALUMINUM	41759-100-1075	1004M ASSY F/PNEUMATIC SEA SW			42059-100-2104			
PILOT LOWER	ROCKET	ALUMINUM/ALUMINUM	41759-100-1075	1	5	1004N ASSY F/PNEUMATIC SEA SW	ALUMINUM	42059-100-2104	1
		ALUMINUM/ALUMINUM	41759-100-1075			1004O ASSY F/PNEUMATIC SEA SW	42059-100-2104		
	ALUMINUM/ALUMINUM	41759-100-1075	1004P ASSY F/PNEUMATIC SEA SW			42059-100-2104			
	ALUMINUM/ALUMINUM	41759-100-1075	1004Q ASSY F/PNEUMATIC SEA SW			42059-100-2104			
	ALUMINUM/ALUMINUM	41759-100-1075	1004R ASSY F/PNEUMATIC SEA SW			42059-100-2104			
	ALUMINUM/ALUMINUM	41759-100-1075	1004S ASSY F/PNEUMATIC SEA SW			42059-100-2104			
	ALUMINUM/ALUMINUM	41759-100-1075	1004T ASSY F/PNEUMATIC SEA SW			42059-100-2104			
	ALUMINUM/ALUMINUM	41759-100-1075	1004U ASSY F/PNEUMATIC SEA SW			42059-100-2104			
	ALUMINUM/ALUMINUM	41759-100-1075	1004V ASSY F/PNEUMATIC SEA SW			42059-100-2104			
	ALUMINUM/ALUMINUM	41759-100-1075	1004W ASSY F/PNEUMATIC SEA SW			42059-100-2104			
PILOT LOWER	ROCKET	ALUMINUM/ALUMINUM	41759-100-1075	1	6	1004X ASSY F/PNEUMATIC SEA SW	ALUMINUM	42059-100-2104	2
		ALUMINUM/ALUMINUM	41759-100-1075			1004Y ASSY F/PNEUMATIC SEA SW	42059-100-2104		
	ALUMINUM/ALUMINUM	41759-100-1075	1004Z ASSY F/PNEUMATIC SEA SW			42059-100-2104			
	ALUMINUM/ALUMINUM	41759-100-1075	1004AA ASSY F/PNEUMATIC SEA SW			42059-100-2104			
	ALUMINUM/ALUMINUM	41759-100-1075	1004AB ASSY F/PNEUMATIC SEA SW			42059-100-2104			
	ALUMINUM/ALUMINUM	41759-100-1075	1004AC ASSY F/PNEUMATIC SEA SW			42059-100-2104			
	ALUMINUM/ALUMINUM	41759-100-1075	1004AD ASSY F/PNEUMATIC SEA SW			42059-100-2104			
	ALUMINUM/ALUMINUM	41759-100-1075	1004AE ASSY F/PNEUMATIC SEA SW			42059-100-2104			
	ALUMINUM/ALUMINUM	41759-100-1075	1004AF ASSY F/PNEUMATIC SEA SW			42059-100-2104			
	ALUMINUM/ALUMINUM	41759-100-1075	1004AG ASSY F/PNEUMATIC SEA SW			42059-100-2104			
PILOT LOWER	ROCKET	ALUMINUM/ALUMINUM	41759-100-1075	1	7	1004AH ASSY F/PNEUMATIC SEA SW	ALUMINUM	42059-100-2104	1
		ALUMINUM/ALUMINUM	41759-100-1075			1004AI ASSY F/PNEUMATIC SEA SW	42059-100-2104		
	ALUMINUM/ALUMINUM	41759-100-1075	1004AJ ASSY F/PNEUMATIC SEA SW			42059-100-2104			
	ALUMINUM/ALUMINUM	41759-100-1075	1004AK ASSY F/PNEUMATIC SEA SW			42059-100-2104			
	ALUMINUM/ALUMINUM	41759-100-1075	1004AL ASSY F/PNEUMATIC SEA SW			42059-100-2104			
	ALUMINUM/ALUMINUM	41759-100-1075	1004AM ASSY F/PNEUMATIC SEA SW			42059-100-2104			
	ALUMINUM/ALUMINUM	41759-100-1075	1004AN ASSY F/PNEUMATIC SEA SW			42059-100-2104			
	ALUMINUM/ALUMINUM	41759-100-1075	1004AO ASSY F/PNEUMATIC SEA SW			42059-100-2104			
	ALUMINUM/ALUMINUM	41759-100-1075	1004AP ASSY F/PNEUMATIC SEA SW			42059-100-2104			
	ALUMINUM/ALUMINUM	41759-100-1075	1004AQ ASSY F/PNEUMATIC SEA SW			42059-100-2104			

ITEM	DESCRIPTION	MATERIAL	STOCK NUMBER	QTY.		
8	BAR TORQUE	F/1001/1001A	411192-1000-5	1		
		F/1001AL W/EARING	422795-1001-1725			
		F/1001/1001A	413502-1001-101			
		F/1001AL W/EARING	422792-1001-1725			
9	BAR FLAPPER	1001 F/PNEUMATIC	411190-1000-3	1		
		1001A/1001AL F/PNEUMATIC	418700-1001-1035			
		1001/1001A/1001AL F/ELECTRIC SWITCH	412740-1001-46			
10	RETAINER SPRING LOWER	F/1001/1001A/1001AL	ALUMINUM 412761-1001-19	1		
		F/1001/1001A	303 SST 411128-1071-522			
11	FULCRUM SENSITIVITY STANDARD/VEHATION	NYLON	415579-1001-1153	1		
12	GASKET BAWFOLD/CASE F/1001A/1001AL	NEOPRENE	425583-1001-1400	1		
		BUNA N	415936-1001-1022			
		NYLON	415943-1001-1026			
13	GASKET PLOT/BAWFOLD F/1001A/1001AL	NEOPRENE	425584-1001-1481	1		
		BUNA N	415937-1001-1023			
		NYLON	425526-1000-135			
14	GAGE PRESSURE	O-30	.12 CB 1.50 F/1001A/1001AL	2 CB OR 11UW/10H		
					BRASS	415230
					BRASS GLYCERIN FILLED	625414
					316 SST	425440
			316 SST GLYCERIN FILLED			
			BRASS		416131	
			BRASS MPF		625069	
			316 SST		415554	
		.12 LH 1.50 F/1001	BRASS		416130	
			BRASS MPF		625070	
			316 SST		415463	
			BRASS		425237	
		O-60	.12 CB 1.50 F/1001A/1001AL		BRASS	425416
					BRASS GLYCERIN FILLED	625416
					316 SST	426660
					316 SST GLYCERIN FILLED	426674
.12 RH 1.50 F/1001	BRASS		425810			
	BRASS MPF		625071			
	316 SST		416075			
	BRASS		425817			
.12 RH 1.50 F/1001	BRASS MPF	625072				
	316 SST	415234				
	ALUMINUM	419386-1000-25	1			
	ALUMINUM	419714-1001-1008	1			
17	BAWFOLD PRESSURE GAUGE	F/1001A	410389-1001-1012	1		
		F/1001AL W/STUDS	ALUMINUM 410081-1001-1263			
18	SPACER BAR ADJUSTING LEVEL	303 SST	412763-1001-21	1		
19	SCREW THUMB 10-32UNF X .50	18-8 SST	415222-1001-1316	1		
20	RING BACKUP SPRING	TITE	415029	2		
21	NUT HEX LOC CSMA 10-32UNF	18-8 SST	415053	2		
22	PLUG PIPE 1/2SMT SOC	ALUMINUM	415076	2		
23	WASHER FLAT 250	18-8 SST	415083	1		
24	NUT HEX JAW 250-28UNF	18-8 SST	415711	1		
25	RING RETAINING	SST	415794	1		
26	O RING	BUNA N	415977-026	1		

ITEM	DESCRIPTION	MATERIAL	STOCK NUMBER	QTY.
27	SCREW CAP HEX 250-28UNF X .75 LG	18-8 SST	415167	2
28	SCREW CAP HEX 250-28UNF X .50 LG	304 SST	416353	8
29	SCREW CAP HEX LOC 250-28UNF X 2.00 LG	18-8 SST	416591	4
30	SCREW ADJUSTING LEVEL 250-28UNF X 1.75 LG	18-8 SST	416741-1000-6	1
31	SCREW CAP HEX ALLTHREAD 3/75-24UNF X 2.25 LG F/1001A/1001AL	18-8 SST	626085	1
32	SCREW CAP HEX 3/75-24UNF X .50 LG	18-8 SST	415939	1
33	SCALE INDICATOR FULCRUM SENSITIVITY	WHITE NYLON	416184-1001-718	2
34	NAMEPLATE ILLC 1001 GENERAL PURPOSE BLANK	ALUMINUM	416316-1001-317	1
		F/1001/1001A	ALUMINUM 415934-1001-1819	
35	NAMEPLATE INSTRUCTION	F/1001AL	ALUMINUM 425300-1001-1309	1
		F/1001A	ALUMINUM 625378-1001-1922	
36	NAMEPLATE COVER ILLC	F/1001AL	ALUMINUM 425670-1001-1504	1
		F/1001A		
37	POST PHOTO F/1001AL	316 SST	422763-1001-1712	1
38	NUT HEX LOC CSMA 250-28UNF	18-8 SST	425182	4
39	GASKET CASE/BODY F/1001AL	NEOPRENE	425184-1001-1265	1
40	ELBOW CONDUIT SHORT 50MPT 150	WELLABLE IRON	411772-1001-1049	1
		ATLAS	416102-018	
		BUNA N 700 -6SF	415103-018	
		BUNA N 700 -70F	625014-018	
		BUNA N 900	425409-018	
		PEROXIDE-CURED BUNA N	426498-010	
		EPDM	416508-010	
		FLUOROSILICONE	625007-810	
		TITE	415419-018	
		NYLON A	415855-010	
		NYLON CF	626281-010	
		ATLAS	416116-210	
		BUNA N 700 -6SF	415111-218	
		BUNA N 700 -70F	625016-210	
		BUNA N 900	425410-210	
		PEROXIDE-CURED BUNA N	426499-210	
EPDM	416509-218			
FLUOROSILICONE	625008-210			
TITE	415452-210			
NYLON A	416013-218			
NYLON CF				
316 SST	426149-2-7100-159	1		
43	NAMEPLATE HWCE MR-01-75			
44	MEPPE PIPE 50 X 2.50 LG SCH 40	CARBON STEEL PLTD	415960-1001-1203	1
45	SCREW CAP HEX 10-32UNF X .30 LG	18-8 SST	416215	2
46	NUT HEX JAW 3/8-24UNF	18-8 SST	416227	1
		BRASS	416001	
47	ADAPTER PIPE 250 X 250 F/1001	303 SST	415472-1001-167	2
48	SCREW CAP HEX ALLTHREAD 3/75-24UNF X 1.75 LG F/1001	18-8 SST	416225	1
49	WASHER FLAT 1/8 F/1001AL ONLY	18-8 SST	415750	1
50	SPACER .25 X .44 X .032 THICK F/1001AL ONLY	TITE	501564	2

SHEET 7 OF 7

DRAWN BY: GSG/JOH
DATE: 9/20/05

DCN RELEASE NO.: 13763

DRAWING NO.: 1001-2160

ORRISSEAL