

APPLICATIONS:

For discharge of liquid or gas from vessels, separators, treaters, knockouts and other similar liquid accumulators.

For back pressure or pressure reducing applications with pressure pilots.

FEATURES:

- Compact design
- O Ring sealed seat
- Valve travel indicator
- Field reversible topworks
- Teflon packed stuffing box

TOPWORKS:

Standard topworks have an effective diaphragm area of approximately 30 square inches for 1" and 65 square inches for 2" motor valves.

Unless otherwise specified, all HPMV's will be furnished with ductile topworks, steel topworks available. Specify when ordering.

SPRINGS:

The 1"HPMV springs are available for diaphragm pressures of 10, 20, and 30 psig.

The 2"HPMV springs are available for diaphragm pressures of 15, 20, and 30 psig.

Unless otherwise specified, all 1" HPMV's with 1/2" INNER VALVES get 30 psig spring others get 20 psig. spring, all 2" HPMV's will be furnished with springs as follows 2000 psig. W.P. valves, 20 lb. springs and 4000 psig. W.P. valves, 30 lb. springs.

Top Adjusting Screw may be adjusted to vary the spring tension slightly; this affects pressure required to actuate valve.

STEM TRAVEL:

- 1" HPMV - 1/2" maximum
- 2" HPMV - 3/4" maximum

ACTUATOR WORKING PRESSURE:

- 10-30 psig normal (see spring ranges)
- 45 psig maximum

WORKING PRESSURE:

- 1" HPMV - 4000 psig
- 2" HPMV - 2000 & 4000 psig

TEMPERATURE RANGE:

- 20° to 500°F

INNER VALVE SIZES:

- 1" HPMV - 1/8", 3/16", 1/4", 3/8", & 1/2"
- 2" HPMV - 1/4", 3/8", 1/2", 3/4" & 1"
- 2" HPMV - 7/16", 5/8" & 7/8"

CAPACITIES:

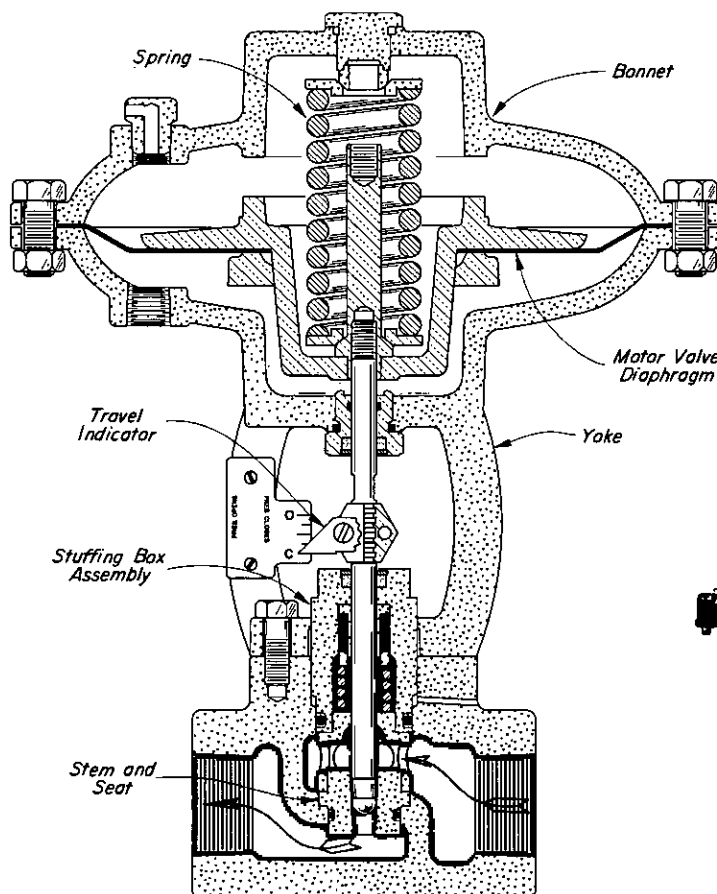
Refer to the Table of Contents

INNER VALVE SPECIFICATIONS:

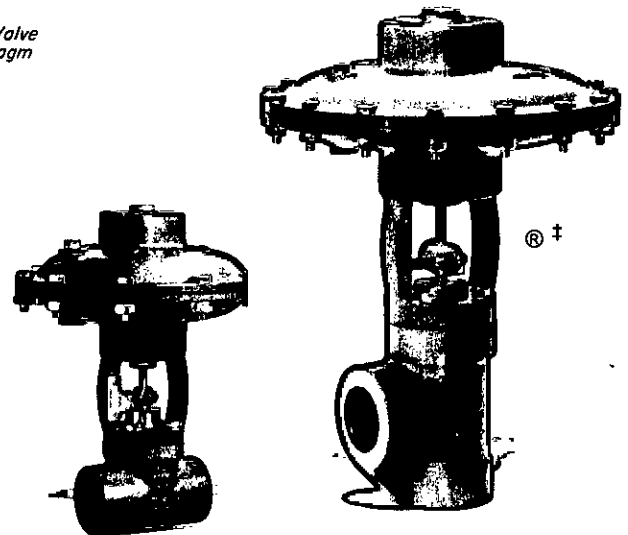
The 1" HPMV standard valve plugs consists of a carbide ball rigidly connected to a 303 stainless steel stem. Standard seats are made of heat treated tool steel.

The 2" HPMV standard valve plugs for 1/2" and smaller consist of a carbide ball rigidly connected to a 303 stainless steel stem. Standard valve plugs for 3/4" and 1" consist of a hardened high chrome alloy ball rigidly connected to a 303 stainless steel stem. Standard seats are made of heat treated tool steel.

Inner valves can be made from a wide selection of materials. Specify when ordering.



- Motor Valve Diaphragm Assembly
- Motor Valve Diaphragm Pressure
- Upstream Pressure
- Downstream Pressure

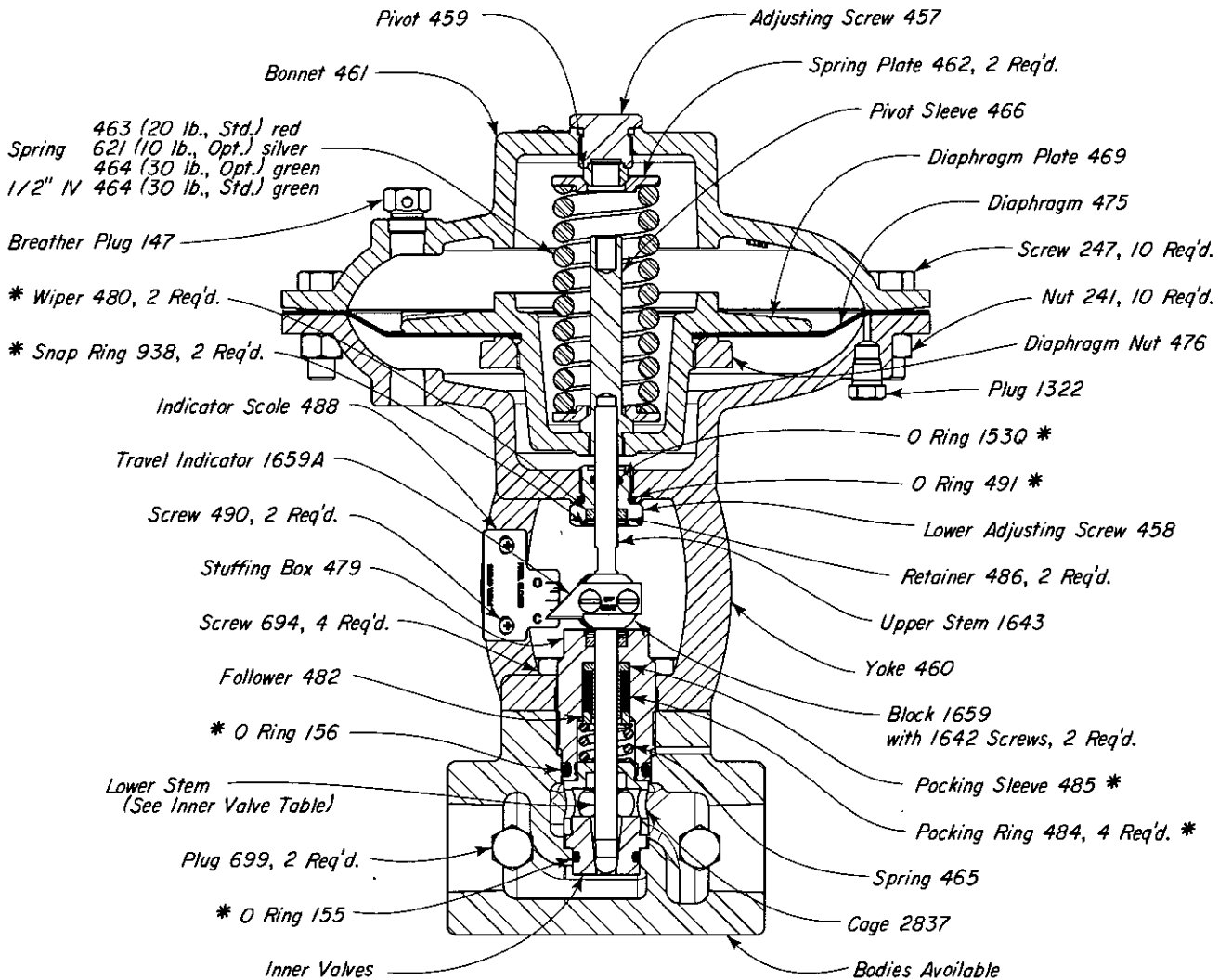


Kimray is an ISO 9001- certified manufacturer.

HIGH PRESSURE MOTOR VALVES



1 HPMV STEEL BODY DUCTILE TOPWORKS



SEAT SIZE	STANDARD SEATS D-2 TOOL STEEL
	TRIM SET NO.
1/8"	T2842
3/16"	T2841
1/4"	T2840
3/8"	T2838
1/2"	T2839

Seat Removal Tool 3032
(Available at extra cost)

BODY TYPE	SCREWED	
	BODY	W.P.
THRU	452	4000 psig
ANGLE	453	4000 psig

THRU VALVES AVAILABLE:

CAT. NO.	INNER VALVE	VALVE	MAX W.P.	KIT
EAE	1/8"	1400 SMT PO 1/8 IV	4000	RFA
EAF	3/16"	1400 SMT PO 3/16 IV	4000	RFA
EAG	1/4"	1400 SMT PO 1/4 IV	4000	RFA
EAH	3/8"	1400 SMT PO 3/8 IV	4000	RFA
EAI	1/2"	1400 SMT PO 1/2 IV	4000	RFA

NOTE: All standard HPMV's have a Cat No. Seats, stems, cages, stuffing boxes and valve bodies are available in 316 stainless steel. Inner valves can be made from a wide selection of materials. Specify when ordering.

ANGLE VALVES AVAILABLE:

CAT. NO.	INNER VALVE	VALVE	MAX W.P.	KIT
EAA	1/4"	1400 SMA PO 1/4 IV	4000	RFA
EAB	3/8"	1400 SMA PO 3/8 IV	4000	RFA
EAC	1/2"	1400 SMA PO 1/2 IV	4000	RFA

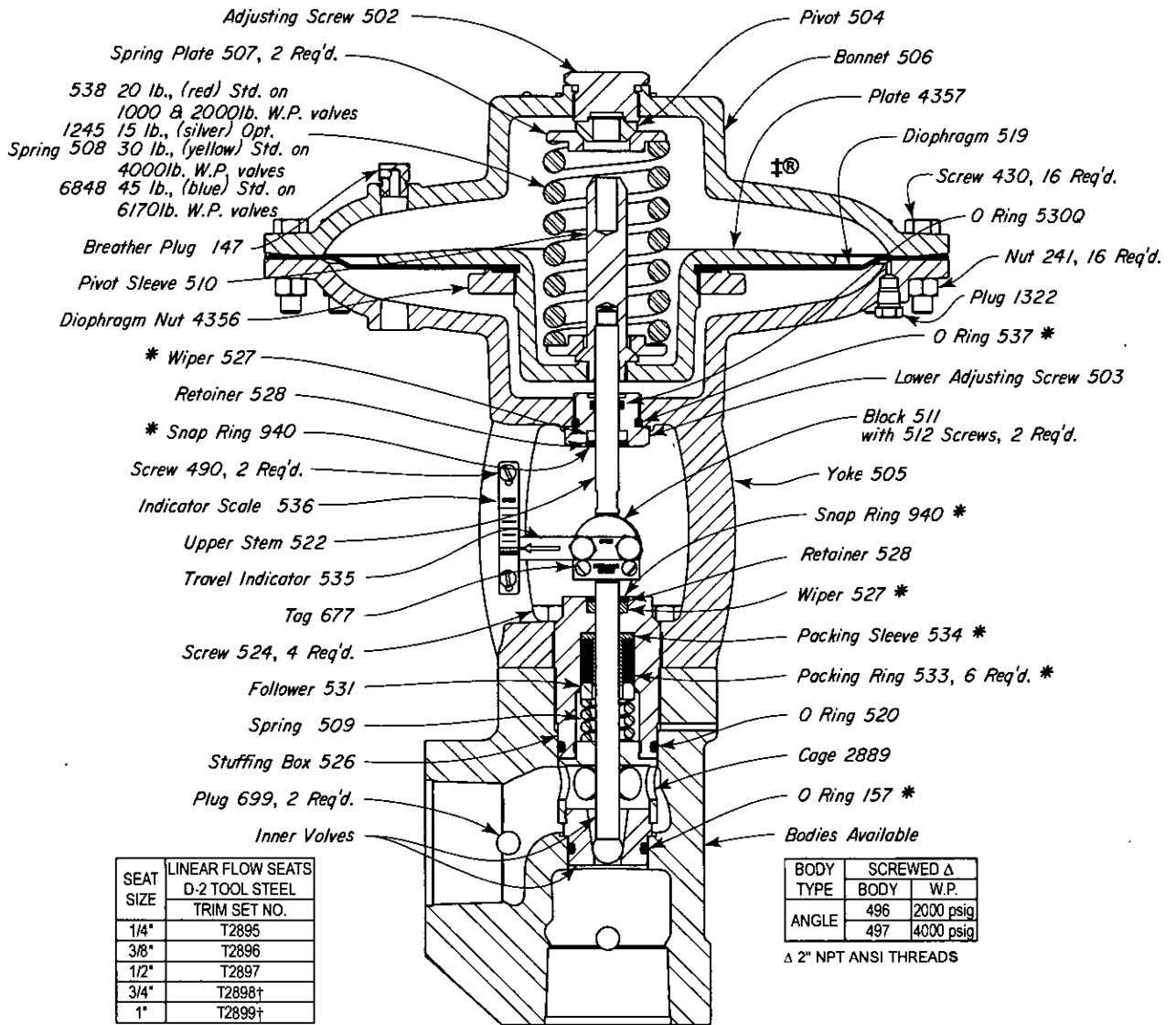
For dimensions refer to Table of Contents. Flanged dimensions available on request.

*These are recommended spare parts and are stocked as repair kits.

Snap and Equal Percentage trim sets available see page E1:90.1

For more code options see Product Bulletin PB0002

Kimray is an ISO 9001- certified manufacturer.



Seat Removal Tool 3033
(Available at extra cost)
† CHROME ALLOY BALL ON STEM
(All other stems use carbide bolts)

ANGLE VALVES AVAILABLE:

CAT. NO.	INNER VALVE	VALVE	MAX W.P.	KIT
ECK	1/2"	2200 SMA PO	2000	RFE
ECL	3/4"	2200 SMA PO	2000	RFE
ECM	1"	2200 SMA P	2000	RFE
ETB	1/2"	2400 SMA PO	4000	RFE
ECQ	3/4"	2400 SMA PO	4000	RFE
ECU	1"	2400 SMA PO	4000	RFE

NOTES:

All standard HPMV's have a Cat No. Seats, stems, cages, stuffing boxes and valve bodies are available in 316 stainless steel. Inner valves can be made from a wide selection of materials. Specify when ordering.

For dimensions refer to Table of Contents. Flanged dimensions available on request.

*These are recommended spare parts and are stocked as repair kits.

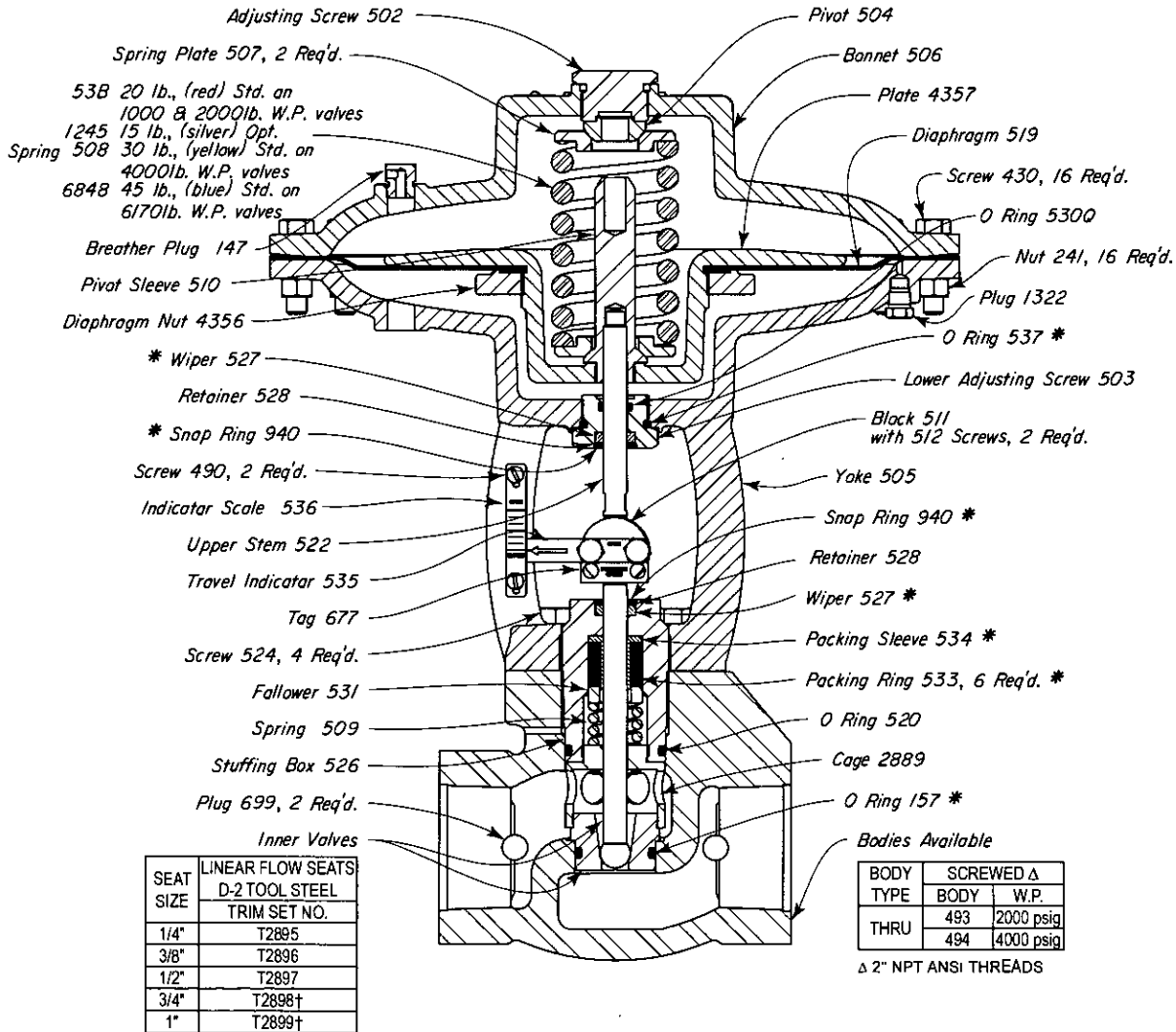
Snap and Equal Percentage trim sets available see page E1:90.1

For more code options see Product Bulletin PB0002

HIGH PRESSURE MOTOR VALVES



2 SMT HPMV STEEL BODY DUCTILE TOPWORKS



Seat Removal Tool 3033
(Available at extra cost)
† CHROME ALLOY BALL ON STEM
(All other stems use carbide balls)

THRU VALVES AVAILABLE:

CAT. NO.	INNER VALVE	VALVE	MAX W.P.	KIT
ECN	1/2"	2200 SMT PO	2000	RFE
ECO	3/4"	2200 SMT PO	2000	RFE
ECP	1"	2200 SMT PO	2000	RFE
ECR	1/2"	2400 SMT PO	4000	RFE
ECS	3/4"	2400 SMT PO	4000	RFE
ECT	1"	2400 SMT PO	4000	RFE

NOTES:

All standard HPMV's have a Cat No. Seats, stems, cages, stuffing boxes and valve bodies are available in 316 stainless steel. Inner valves can be made from a wide selection of materials. Specify when ordering.

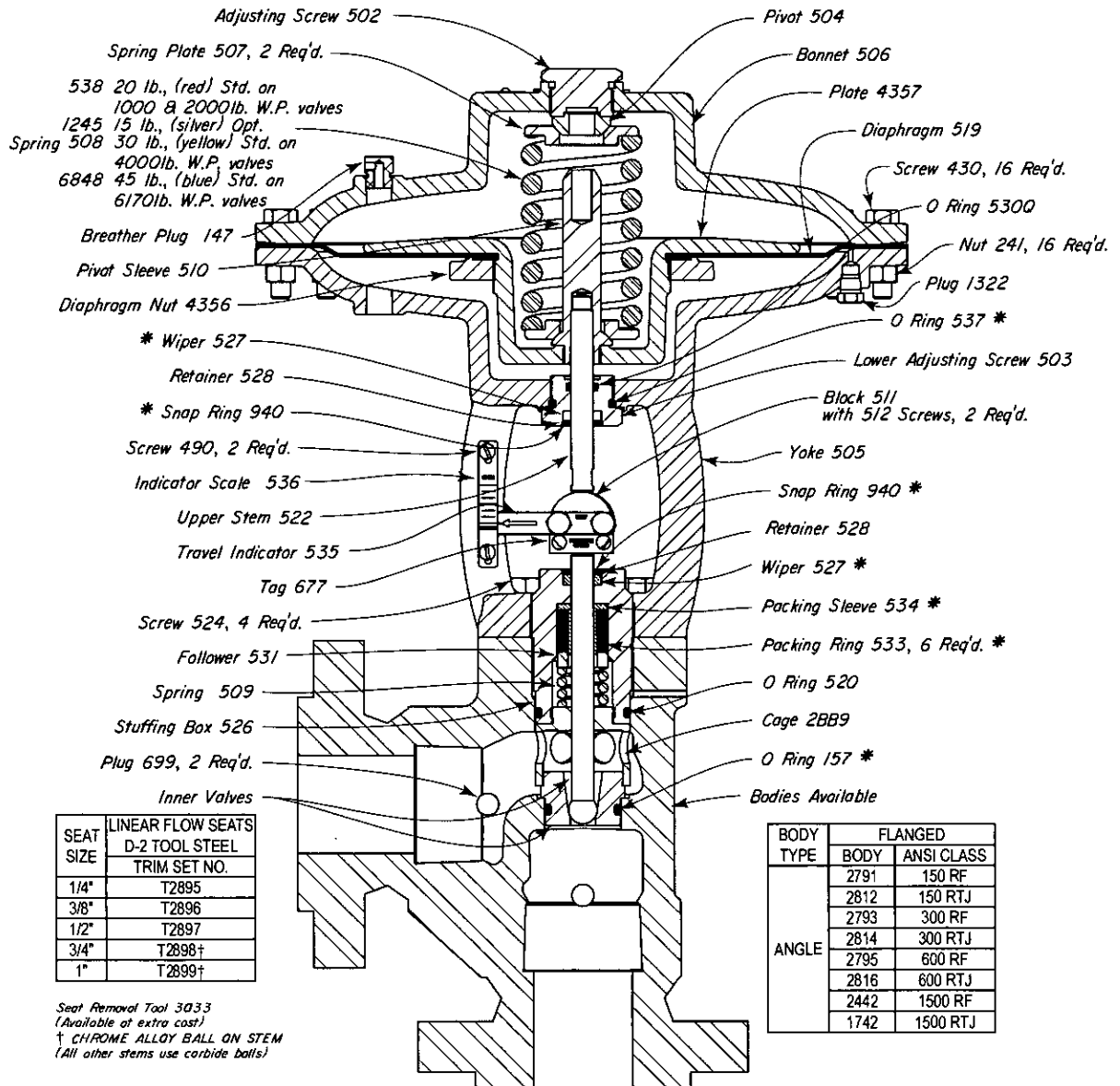
For dimensions refer to Table of Contents. Flanged dimensions available on request.

*These are recommended spare parts and are stocked as repair kits.

Snap and Equal Percentage trim sets available see page E1:90.1

For more code options see Product Bulletin PB0002

Kimray is an ISO 9001- certified manufacturer.



ANGLE VALVES AVAILABLE:

CAT. NO.	INNER VALVE	VALVE	MAX W.P.	KIT
EPS	1/4"	2" FMA 150RF PO	285	RFE
EPT	3/8"	2" FMA 150RF PO	285	RFE
EPW	1/2"	2" FMA 150RF PO	285	RFE
EPX	3/4"	2" FMA 150RF PO	285	RFE
EPY	1"	2" FMA 150RF PO	285	RFE
EZF	1/4"	2" FMA 300RF PO	740	RFE
EZG	3/8"	2" FMA 300RF PO	740	RFE
EZH	1/2"	2" FMA 300RF PO	740	RFE
EZI	3/4"	2" FMA 300RF PO	740	RFE
EDT	1"	2" FMA 300RF PO	740	RFE
MFO	1/4"	2" FMA 600RF PO	1480	RFE
MGK	3/8"	2" FMA 600RF PO	1480	RFE
MCO	1/2"	2" FMA 600RF PO	1480	RFE
MBT	3/4"	2" FMA 600RF PO	1480	RFE
EVM	1"	2" FMA 600RF PO	1480	RFE

NOTES:

All standard HPMV's have a Cat No. Seats, stems, cages, stuffing boxes and valve bodies are available in 316 stainless steel. Inner valves can be made from a wide selection of materials. Specify when ordering.

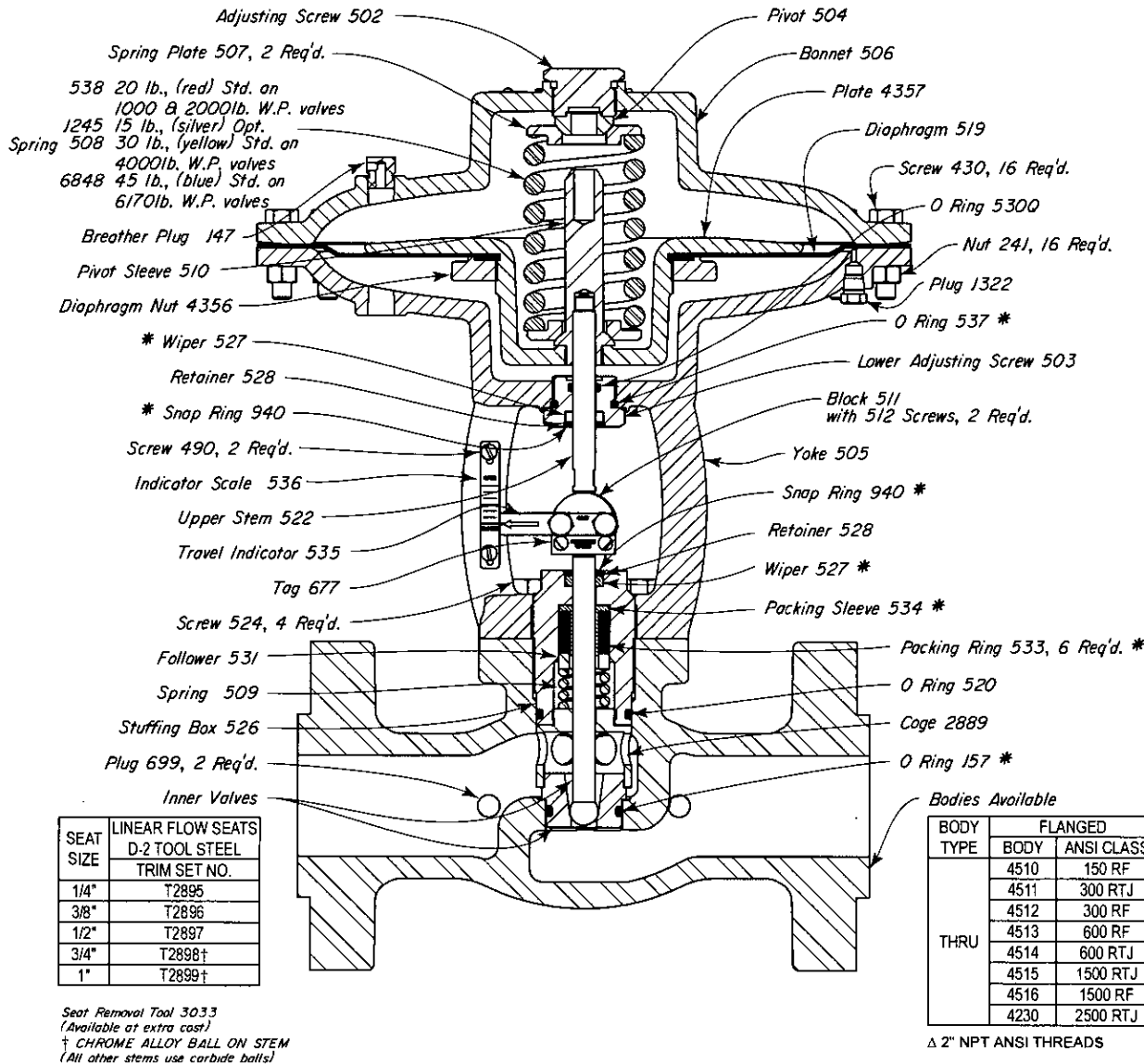
For dimensions refer to Table of Contents. Flanged dimensions available on request.

*These are recommended spare parts and are stocked as repair kits.

Snap and Equal Percentage trim sets available see page E1:90.1

For more code options see Product Bulletin PB0002

2 FMT HPMV STEEL BODY DUCTILE TOPWORKS



THRU VALVES AVAILABLE:

CAT. NO.	INNER VALVE	VALVE	MAX W.P.	KIT
EHR	1/4"	2" FMT 150RF PO	285	RFA
EHS	3/8"	2" FMT 150RF PO	285	RFA
EHT	1/2"	2" FMT 150RF PO	285	RFA
EHU	3/4"	2" FMT 150RF PO	285	RFA
EHV	1"	2" FMT 150RF PO	285	RFA
EPA	1/4"	2" FMT 300RF PO	740	RFA
EPB	3/8"	2" FMT 300RF PO	740	RFA
EPC	1/2"	2" FMT 300RF PO	740	RFA
EPD	3/4"	2" FMT 300RF PO	740	RFA
EPE	1"	2" FMT 300RF PO	740	RFA
EPJ	1/4"	2" FMT 600RF PO	1480	RFA
EDP	3/8"	2" FMT 600RF PO	1480	RFA
EIE	1/2"	2" FMT 600RF PO	1480	RFA
EGO	3/4"	2" FMT 600RF PO	1480	RFA
EGP	1"	2" FMT 600RF PO	1480	RFA
EPK	1/4"	2" FMT 1500RF PO	3705	RFA
EPM	3/8"	2" FMT 1500RF PO	3705	RFA

THRU VALVES AVAILABLE:

CAT. NO.	INNER VALVE	VALVE	MAX W.P.	KIT
EPN	1/2"	2" FMT 1500RF PO	3705	RFA
EQG	3/4"	2" FMT 1500RF PO	3705	RFA
EGR	1"	2" FMT 1500RF PO	3705	RFA

All standard HPMV's have a Cat No. Seats, stems, cages, stuffing boxes and valve bodies are available in 316 stainless steel. Inner valves can be made from a wide selection of materials. Specify when ordering.

For dimensions refer to Table of Contents. Flanged dimensions available on request.

*These are recommended spare parts and are stocked as repair kits.

Snap and Equal Percentage trim sets available see page E1:90.1

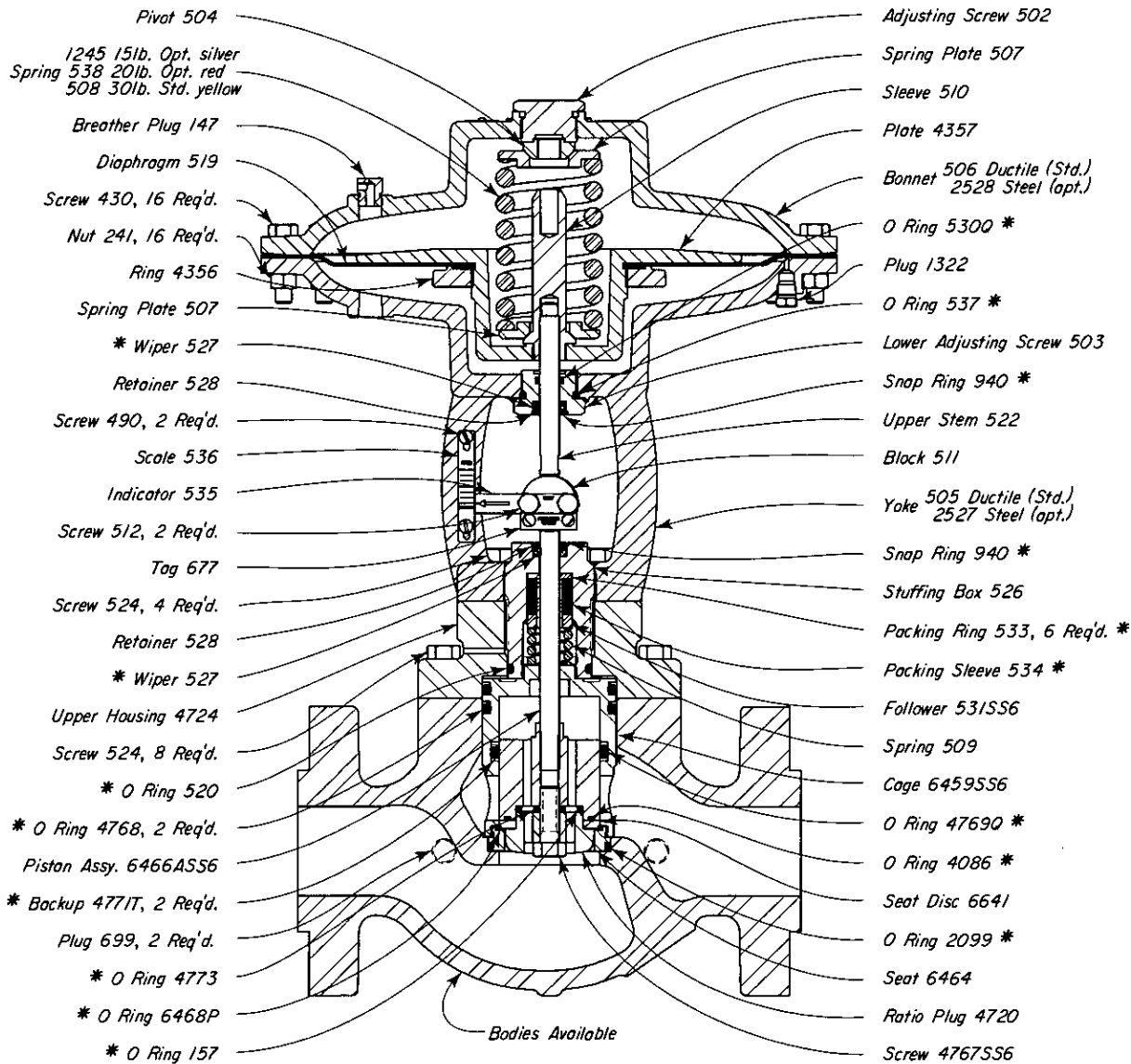
For more code options see Product Bulletin PB0002

Kimray is an ISO 9001- certified manufacturer.

HIGH PRESSURE MOTOR VALVES



PISTON BALANCED 2" STEEL BODY DUCTILE TOPWORKS



BODY TYPE	SCREWED ‡			FLANGED		
	SIZE	BODY	W.P.	SIZE	BODY	ANSI CLASS
THRU	2"	4813	1500 psig	2"	4712	600 RF
	2"	4764	4000 psig	2"	4713	600 RTJ
				2"	4714	1500 RF
				2"	4715	1500 RTJ
				3"	4871	600 RF
				3"	4872	600 RTJ

‡ 2" NPT ANSI THREADS

THRU VALVES AVAILABLE:

CAT. NO.	SIZE TYPE	VALVE	MAX W.P.	KIT
EFG	2" SCRD.	2150 SMT PB 2 IV	1500	RUR
EFH	2" SCRD.	2400 SMT PB 2 IV	4000	RUR
EFI	2" FLGD.	2150 FMT PB 600 RF• 2 IV	1480	RUR
EFJ	2" FLGD.	2150 FMT PB 600 RTJ• 2 IV	1480	RUR
EFK	2" FLGD.	2150 FMT PB 1500 RF• 2 IV	3705	RUR
EFL	2" FLGD.	2150 FMT PB 1500 RTJ• 2 IV	3705	RUR
EFM	3" FLGD.	3150 FMT PB 600 RF• 2 IV	1480	RUR
EFO	3" FLGD.	3150 FMT PB 600 RTJ• 2 IV	1480	RUR

*For working pressure vs. working temperature see ASME B16.34;
For flanges & flanged fittings see ASME B16.5.

NOTES:

All standard HPMV's have a Cat. No. Seats, stems, cages, stuffing boxes and valve bodies are available in 316 stainless steel. Inner valves can be made from a wide selection of materials. Specify when ordering.

Dimensions refer to E1:1D0.3

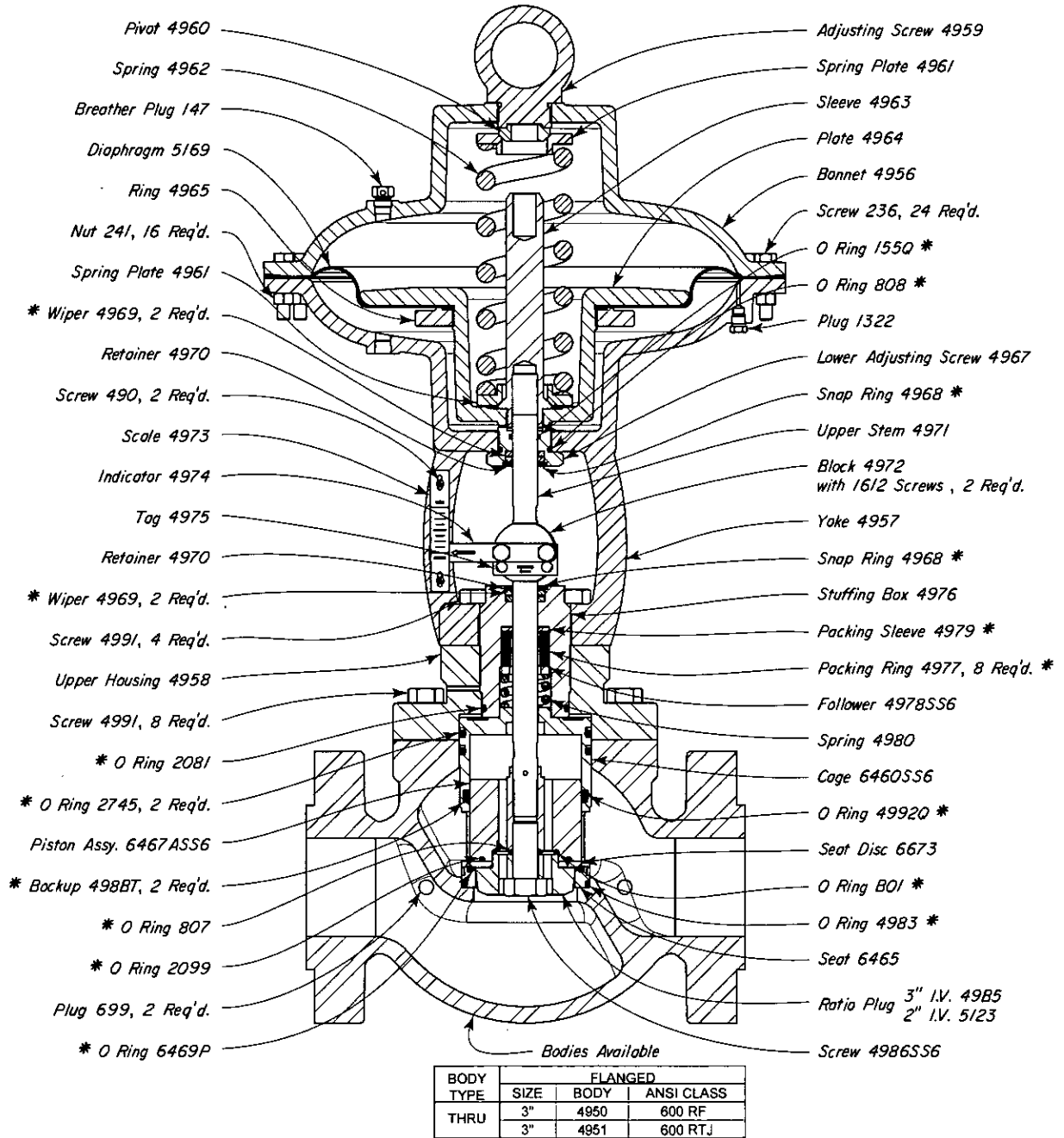
For BOTTOM WORKS only refer to Bulletin No. E105357

For TOP WORKS only refer to Bulletin No. E106025

*These are recommended spare parts and are stocked as repair kits.

Kimray is an ISO 9001- certified manufacturer.

PISTON BALANCED 3" STEEL BODY DUCTILE TOPWORKS



THRU VALVES AVAILABLE:

CAT. NO.	SIZE TYPE	VALVE	MAX W.P.	KIT
EFU	3" FLGD.	3150 FMT PB 600 RF• 3 IV	1480	RUT
EFV	3" FLGD.	3150 FMT PB 600 RTJ• 3 IV	1480	RUT
EZU	3" FLGD.	3150 FMT PB 600 RF• 2 IV	1480	RUT

*For working pressure vs. working temperature see ASME B16.34;
For flanges & flanged fittings see ASME B16.5.

NOTES:

All standard HPMV's have a Cat. No. Seats, stems, cages, stuffing boxes and valve bodies are available in 316 stainless steel. Inner valves can be made from a wide selection of materials. Specify when ordering.

Dimensions refer to E1:100.3

For BOTTOM WORKS only refer to Bulletin No. E105356

For TOP WORKS only refer to Bulletin No. E106003

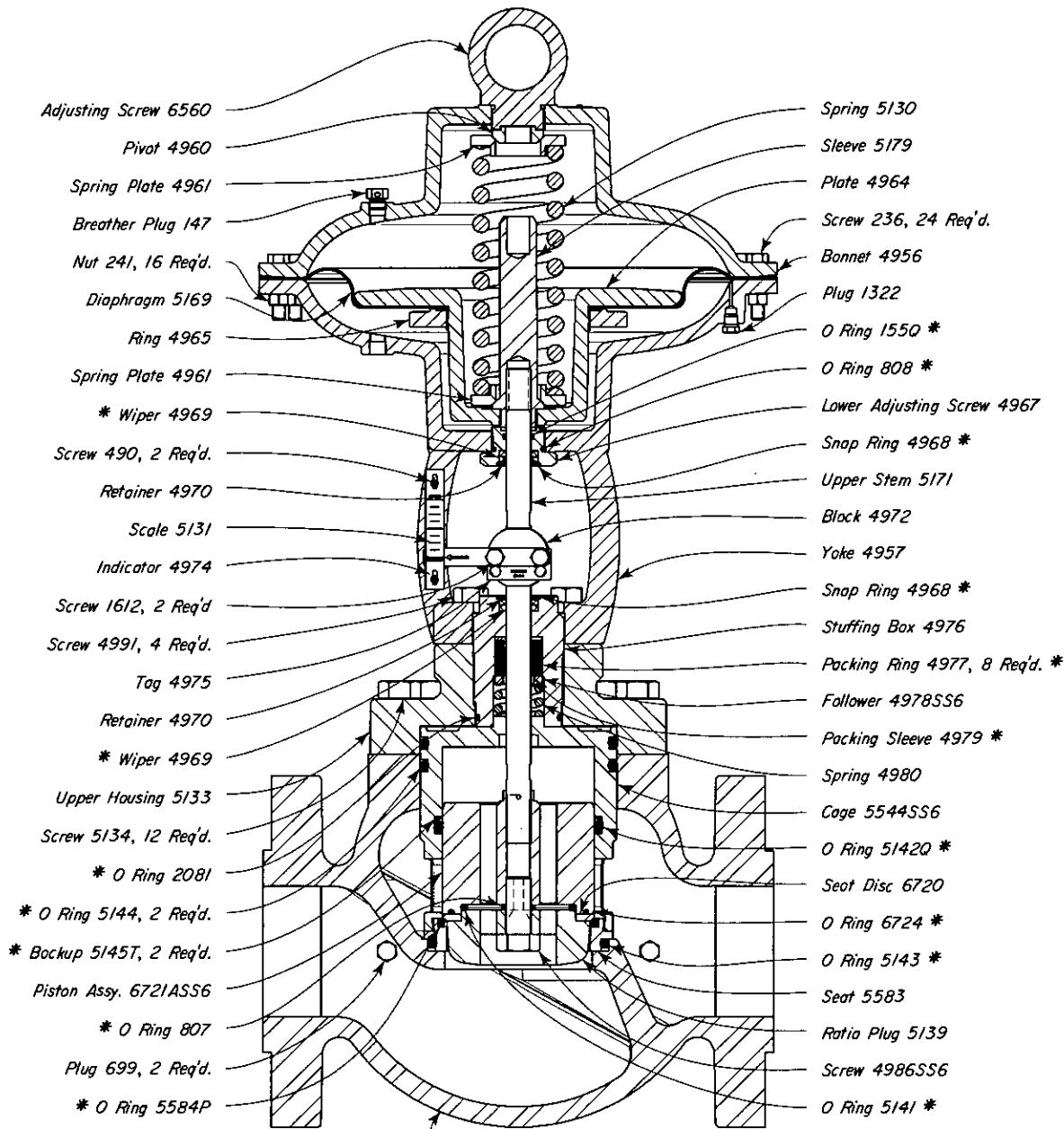
*These are recommended spare parts and are stocked as repair kits.

Kimray is an ISO 9001- certified manufacturer.

HIGH PRESSURE MOTOR VALVES



PISTON BALANCED 4" STEEL BODY DUCTILE TOPWORKS



- Adjusting Screw 6560
- Pivot 4960
- Spring Plate 4961
- Breather Plug 147
- Nut 241, 16 Req'd.
- Diaphragm 5169
- Ring 4965
- Spring Plate 4961
- * Wiper 4969
- Screw 490, 2 Req'd.
- Retainer 4970
- Scale 5131
- Indicator 4974
- Screw 1612, 2 Req'd.
- Screw 4991, 4 Req'd.
- Tag 4975
- Retainer 4970
- * Wiper 4969
- Upper Housing 5133
- Screw 5134, 12 Req'd.
- * O Ring 2081
- * O Ring 5144, 2 Req'd.
- * Backup 5145T, 2 Req'd.
- Piston Assy. 6721ASS6
- * O Ring 807
- Plug 699, 2 Req'd.
- * O Ring 5584P

- Spring 5130
- Sleeve 5179
- Plate 4964
- Screw 236, 24 Req'd.
- Bonnet 4956
- Plug 1322
- O Ring 1550 *
- O Ring 808 *
- Lower Adjusting Screw 4967
- Snap Ring 4968 *
- Upper Stem 5171
- Block 4972
- Yoke 4957
- Snap Ring 4968 *
- Stuffing Box 4976
- Packing Ring 4977, 8 Req'd. *
- Follower 4978SS6
- Packing Sleeve 4979 *
- Spring 4980
- Cage 5544SS6
- O Ring 5142Q *
- Seat Disc 6720
- O Ring 6724 *
- O Ring 5143 *
- Seat 5583
- Ratio Plug 5139
- Screw 4986SS6
- O Ring 5141 *

Bodies Available

BODY TYPE	FLANGED		
	SIZE	BODY	ANSI CLASS
THRU	4"	5146	600 RF

THRU VALVES AVAILABLE:

CAT. NO.	SIZE TYPE	VALVE	MAX W.P.	KIT
EGU	4" FLGD.	4150 FMT PB 600 RF• 4 IV	1480	RUU

*For working pressure vs. working temperature see ASME B16.34;
For flanges & flanged fittings see ASME B16.5.

NOTES:

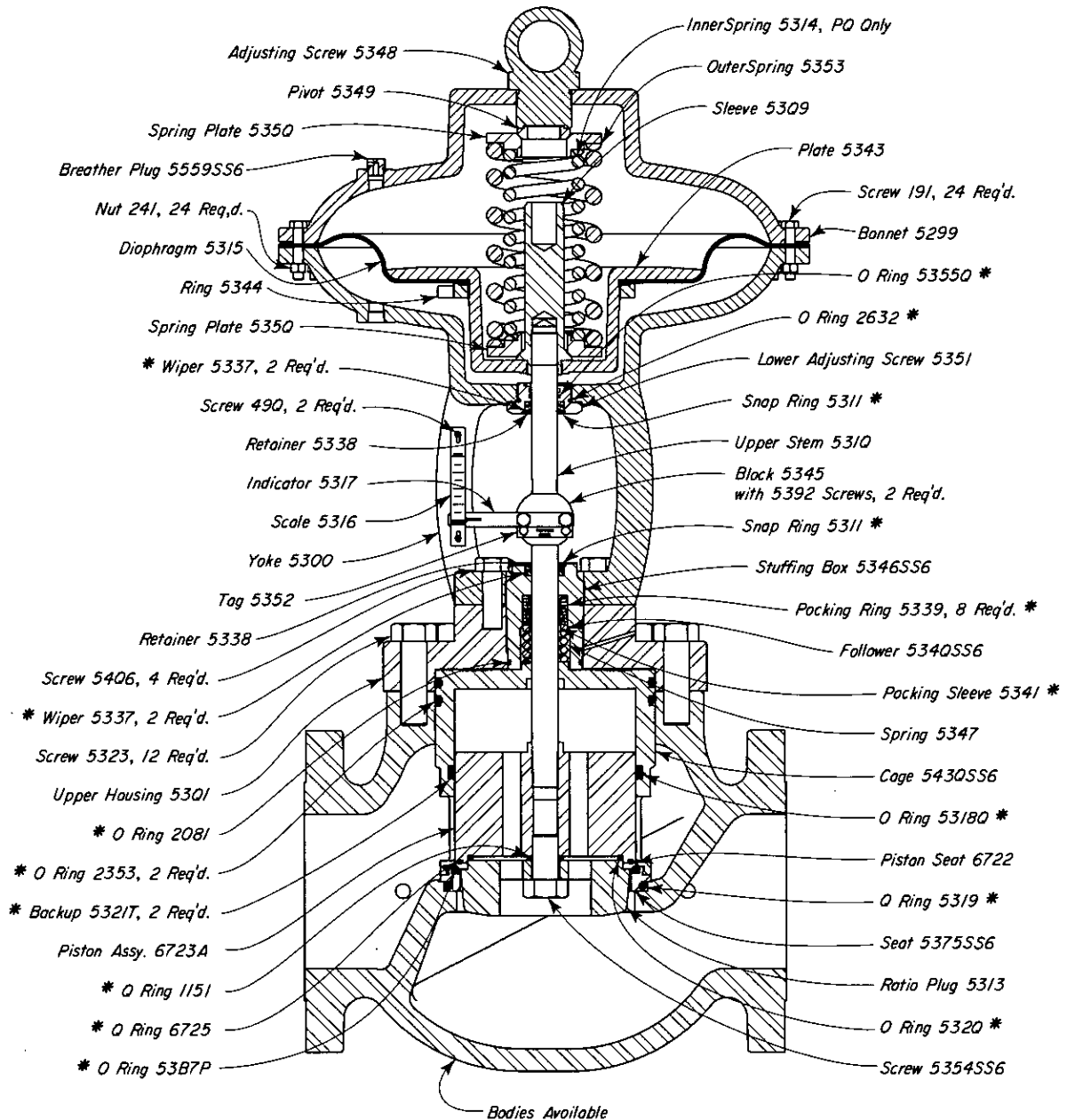
All standard HPMV's have a Cat. No. Seats, stems, cages, stuffing boxes and valve bodies are available in 316 stainless steel. Inner valves can be made from a wide selection of materials. Specify when ordering. Dimensions refer to E1:100.3

For BOTTOM WORKS only refer to Bulletin No. E105354

For TOP WORKS only refer to Bulletin No. E106003

*These are recommended spare parts and are stocked as repair kits.

Kimray is an ISO 9001- certified manufacturer.



BODY	FLANGED	
	BODY	CLASS
THRU	5302	300 RF
	5322	600 RF

THRU VALVES AVAILABLE:

CAT. NO.	SIZE TYPE	VALVE	MAX W.P.	KIT
EIA	6" FLGD.	6150 FMT PB 300 RF= 6 IV	740	RWD
EIB	6" FLGD.	6150 FMT PB 600 RF= 6 IV	1480	RWD

*For working pressure vs. working temperature see ASME B16.34;
For flanges & flanged fittings see ASME B16.5.

NOTES:

NOTE: All standard HPMV's have a Cat. No. Seats, stems, cages, stuffing boxes and valve bodies are available in 316 stainless steel. Inner valves can be made from a wide selection of materials. Specify when ordering. Dimensions refer to E1:100.3

For BOTTOM WORKS only refer to Bulletin No. E105355
For TOP WORKS only refer to Bulletin No. E106024

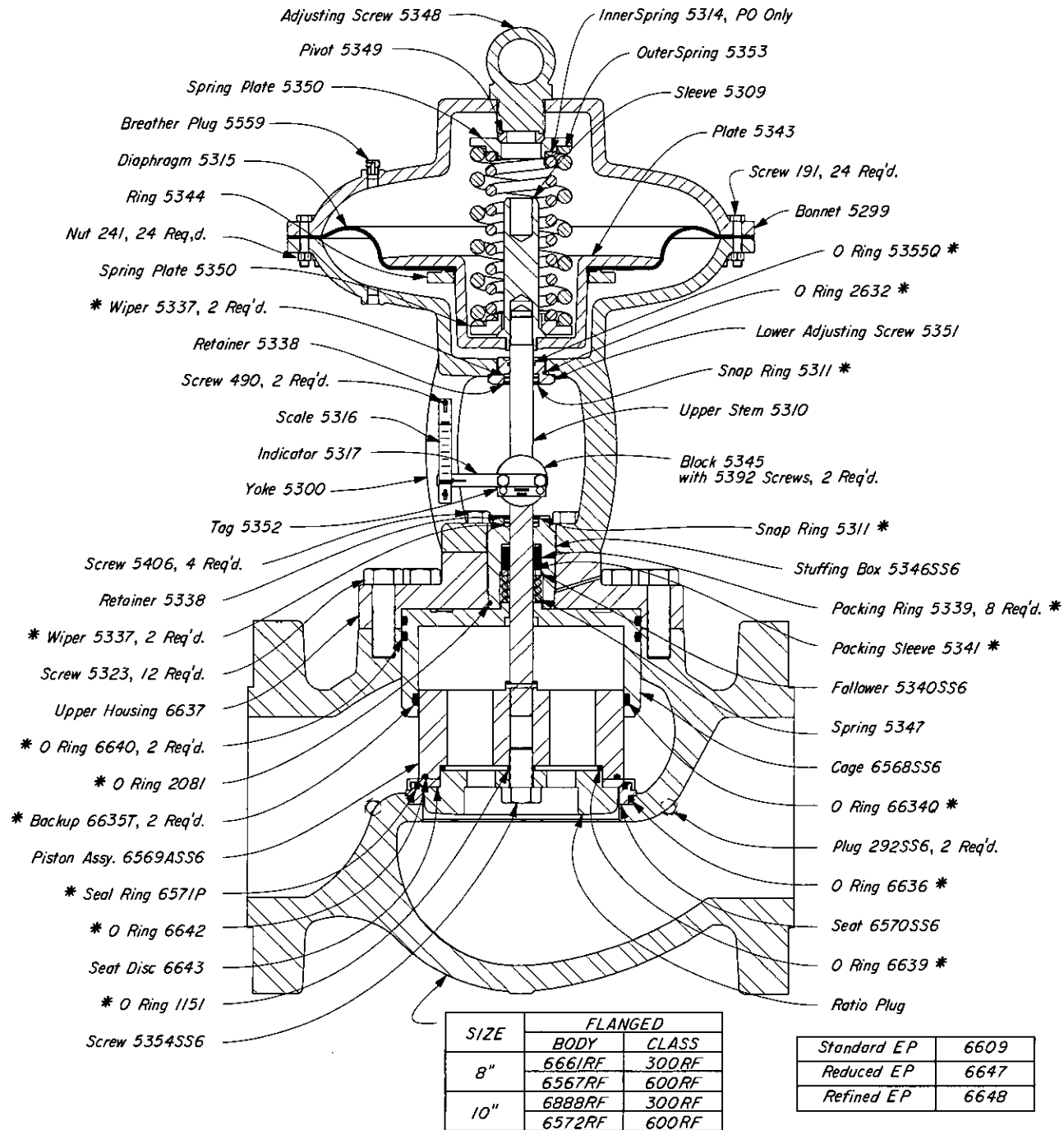
*These are recommended spare parts and are stocked as repair kits.

Kimray is an ISO 9001- certified manufacturer.

HIGH PRESSURE MOTOR VALVES



PISTON BALANCED 8" & 10" STEEL BODY DUCTILE TOPWORKS



THRU VALVES AVAILABLE:

CAT. NO.	SIZE TYPE	VALVE	MAX W.P.	KIT
EIM	8" FLGD.	8150 FMT PB 600 RF ^a 8 IV	1480	RWF
EIN	8" FLGD.	8150 FMT PB 300 RF ^a 8 IV	740	RWF
EIT	10" FLGD.	10150 FMT PB 600 RF ^a 8 IV	1480	RWF
EIX	10" FLGD.	10150 FMT PB 300 RF ^a 8 IV	740	RWF

^aFor working pressure vs. working temperature see ASME B16.34;
For flanges & flanged fittings see ASME B16.5.

NOTES:

NOTE: All standard HPMV's have a Cat. No. Seats, stems, cages, stuffing boxes and valve bodies are available in 316 stainless steel. Inner valves can be made from a wide selection of materials. Specify when ordering.

Dimensions refer to E1:100.3

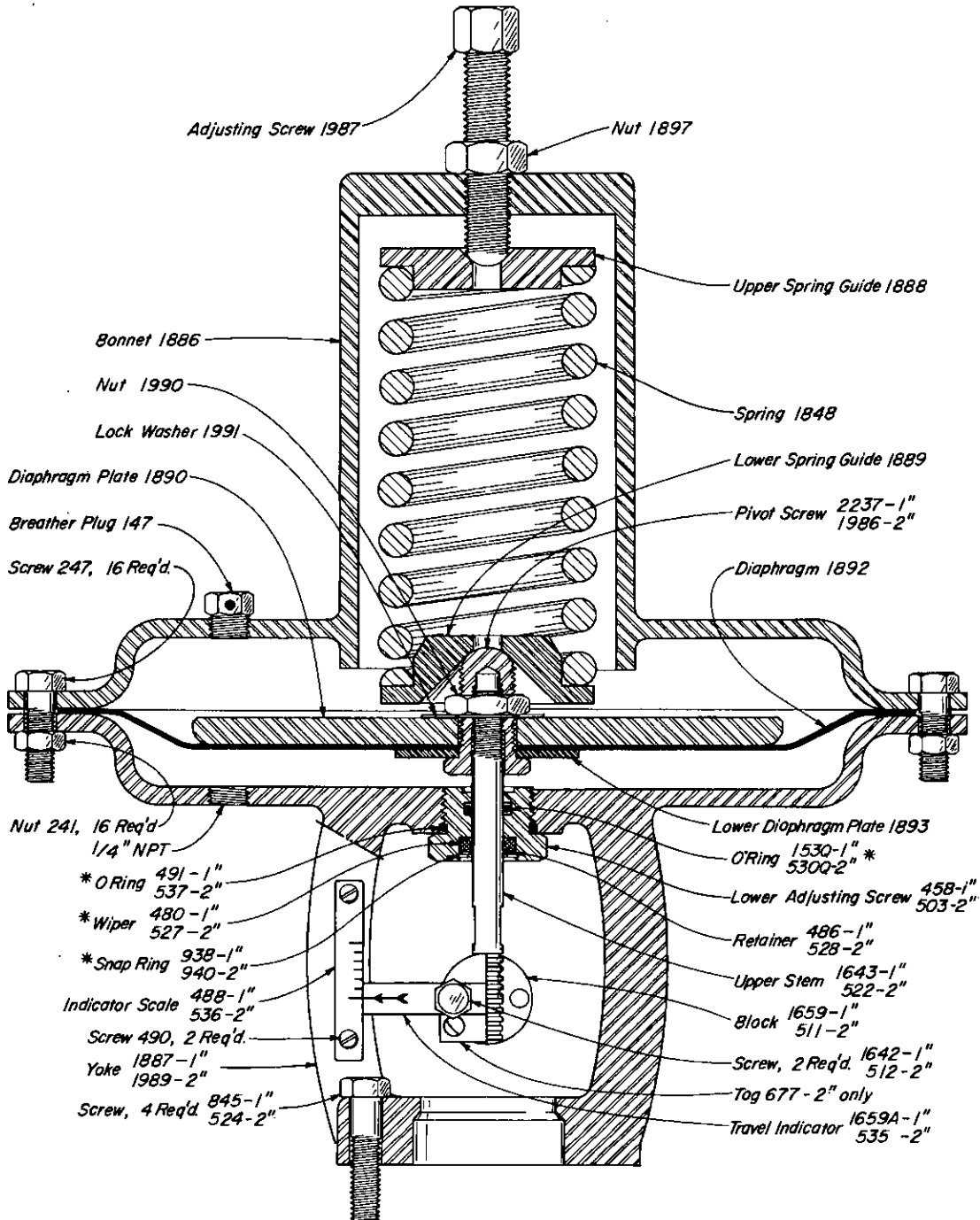
*These are recommended spare parts and are stocked as repair kits. To order repair kit, specify "8" HPMV PB Repair Kit, RWF"

Kimray is an ISO 9001- certified manufacturer.

HIGH PRESSURE MOTOR VALVES



1" & 2" -65 TOPWORKS
STEEL



THRU VALVES AVAILABLE:

CAT. NO.	LINE SIZE	TOPWORKS	OPER. PRES.	MAX W.P.	KIT
EAU	1"	1" -65 TOPWORKS	30	45	RHV
EBW	2"	2" -65 TOPWORKS	30	45	RHW

NOTES:

For dimensions, refer to Table of Contents.

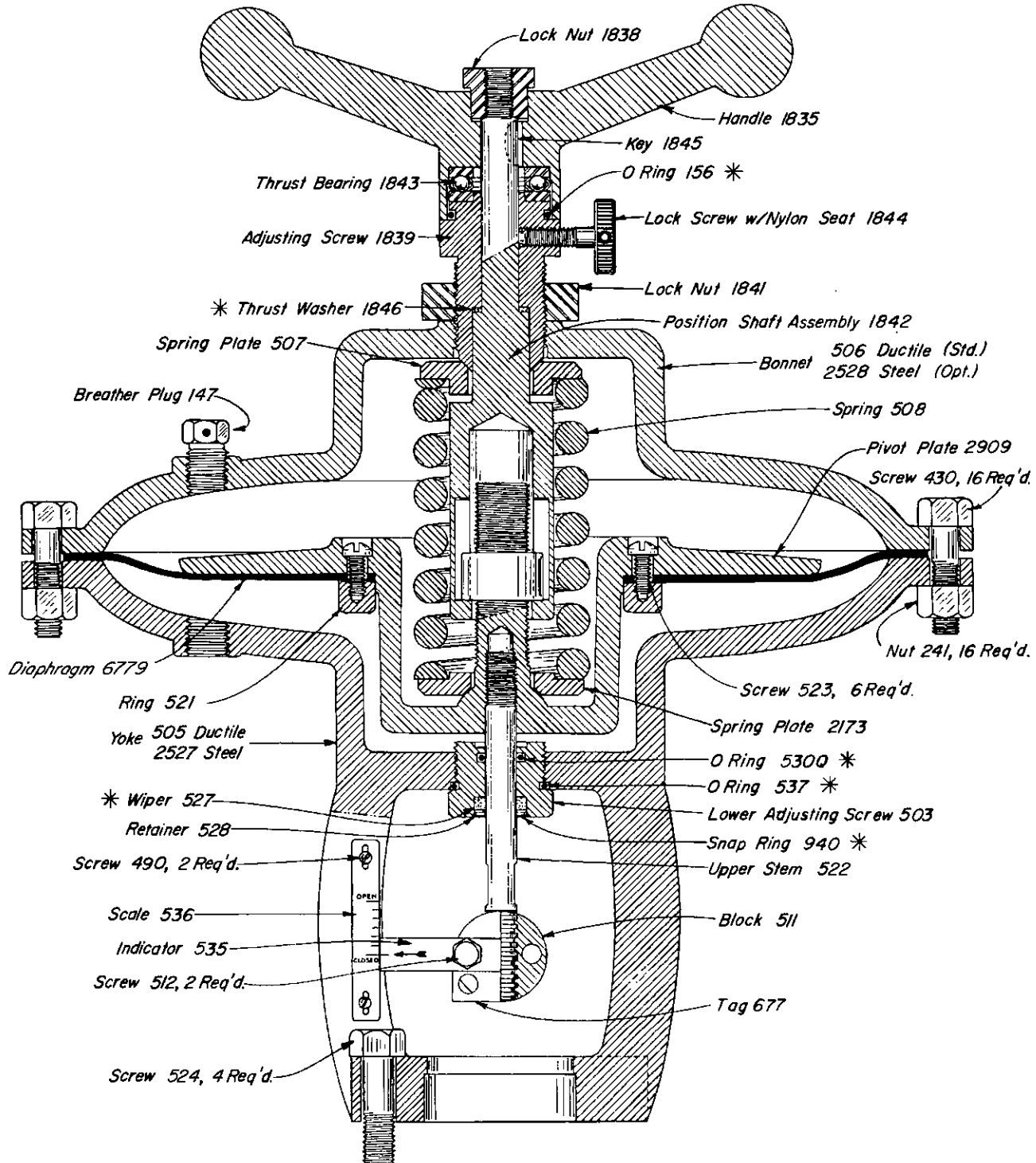
*These are recommended spare parts and are stocked as repair kits.

Kimray is an ISO 9001- certified manufacturer.

HIGH PRESSURE MOTOR VALVES



MANUAL VALVE POSITIONER DUCTILE & STEEL



THRU VALVES AVAILABLE:

CAT. NO.	LINE SIZE	TOPWORKS	OPER. PRES.	MAX W.P.	KIT
EBX	2"	2" MVP	30	45	RFH
EBO	2"	2" MVP-S	30	45	RFH

NOTES:

For dimensions, refer to Table of Contents.

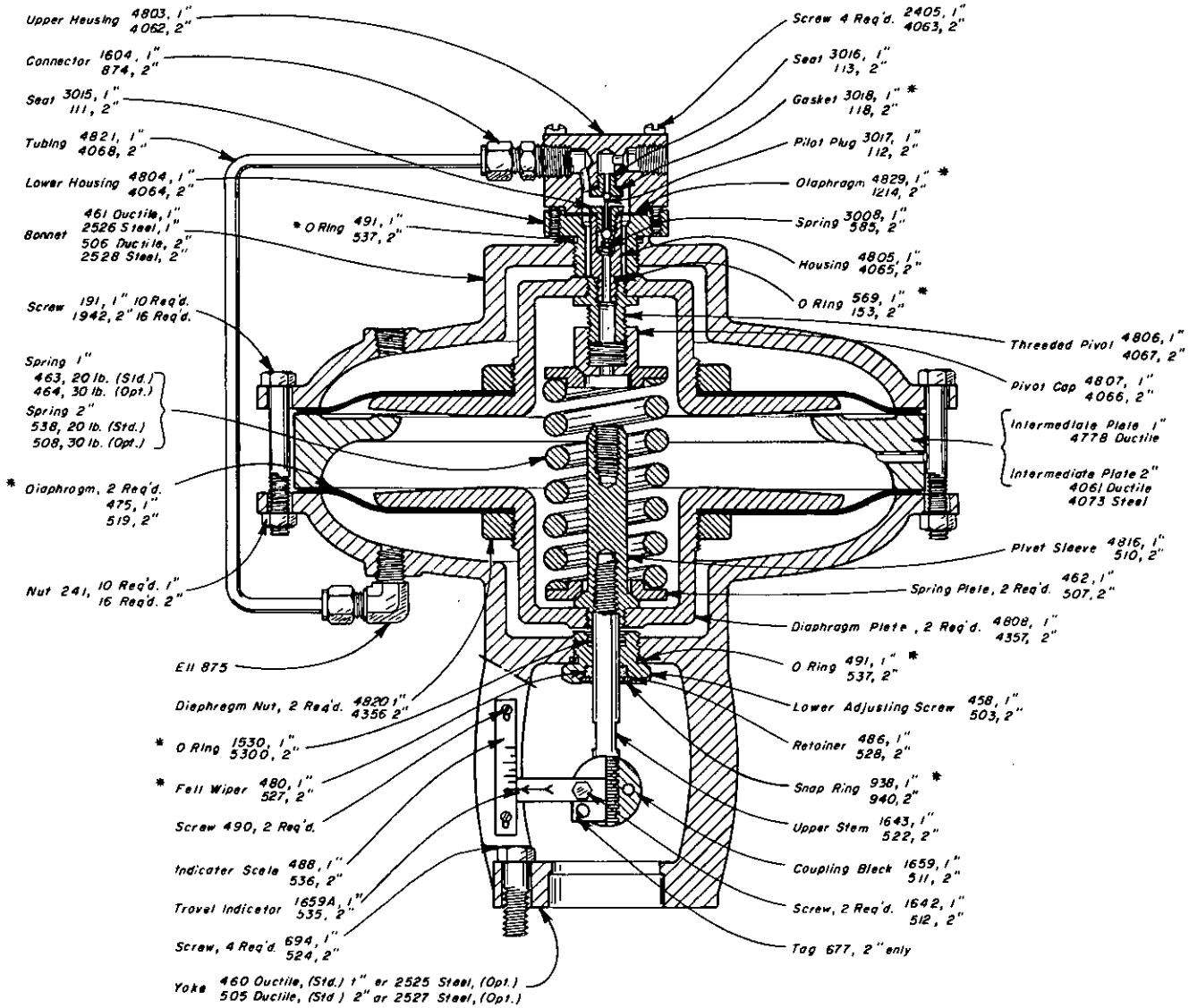
*These are recommended spare parts and are stocked as repair kits.

Kimray is an ISO 9001- certified manufacturer.

HIGH PRESSURE MOTOR VALVES



PNEUMATIC VALVE POSITIONER DUCTILE & STEEL



TOPWORKS AVAILABLE:

CAT. NO.	LINE SIZE	TOPWORKS	OPER. PRES.	MAX W.P.	KIT
EBV	1"	13 PVP	3-17	45	RRD
EBM	2"	23 PVP	3-17	45	RRE
EBN	2"	23 PVP-S	3-17	45	RRE

NOTES:

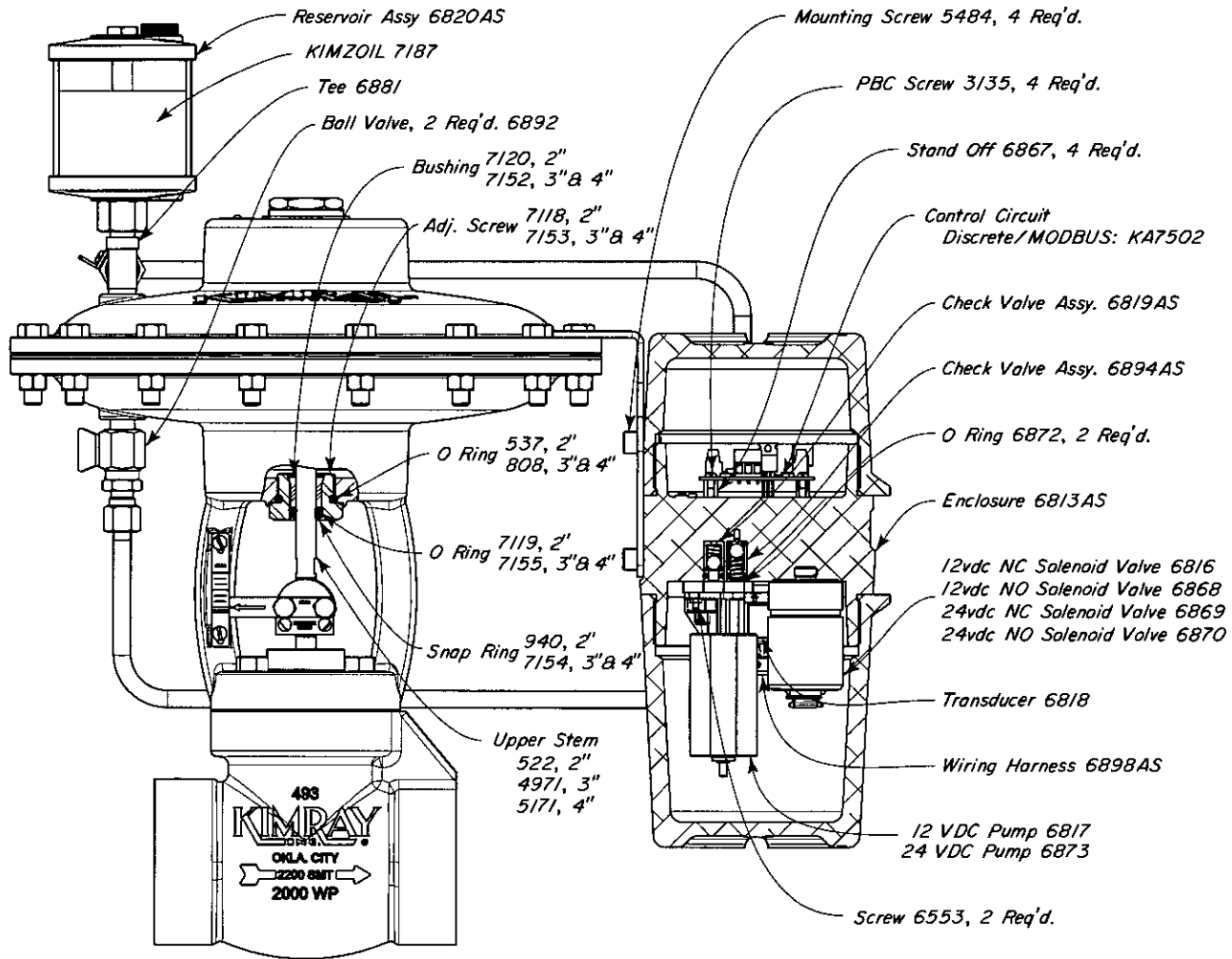
For dimensions refer to Table of Contents.
*These are recommended spare parts and are stocked as repair kits.

Kimray is an ISO 9001- certified manufacturer.

HIGH PRESSURE MOTOR VALVES



ELECTRO HYDRAULIC ACTUATOR ALUMINUM



Adjusting Screw assembly may be purchased for valves equipped with old style Adjusting Screws
 for 2 inch valve order part number 7118AS
 for 3 & 4 inch valves order part number 7153AS

ELECTRO-HYDRAULIC CONTROLLERS:

CAT. NO.	DESC.	OPER. PRESS.	CONTROL VOLTAGE
YHD	EHA 12 FS DM	30 psig	11-14 VDC
YHD24	EHA 24 FS DM	30 psig	22-26 VDC
YHE	EHA 12 FIP DM	30 psig	11-14 VDC
YHE24	EHA 24 FIP DM	30 psig	22-26 VDC

Codes are for Actuator only
 Can also be purchased mounted on valve as shown

APPROVALS:



Class I, Div 1, Groups C and D;
 Class II, Div 1, Groups E, F, and G;
 Class III; T6

Kimray is an ISO 9001:2008- certified manufacturer.
 API Specification Q1 (ISO/TS 29001:2007)

APPLICATIONS:

This valve can be used to meter or control flow of liquids and/or gases on meter runs, flow lines, or may be used as a choke under low pressure drop conditions where freezing is not a problem.

Used any time a reference control point is required in 64" of an inch opening.

FEATURES:

- Compact design
- O Ring sealed seat
- Teflon packed stuffing box
- Ball-in-Cone seat design
- Easily adjusted
- Large adjusting knob
- Large adjusting screw

STEM TRAVEL:

- 1" Meter Valve 1/2" maximum
- 2" Meter Valve 3/4" maximum

OPERATIONS:

Rotation of the adjusting knob raises or lowers the valve plug relative to the valve seat. Six full turns are required to fully open the valve. Opening is graduated in 64's.

WORKING PRESSURE:

- 1" 4000 psig
- 2" 2000 and 4000 psig

MAXIMUM PRESSURE DROP:

- 1" All Sizes 4000 psig
- 2" 7/16" EP Seat 4000 psig
- 2" 5/8" EP Seat 3000 psig
- 2" 7/8" EP Seat 1500 psig

INNER VALVE SIZES:

- 1" Equal Percentage Seats 1/4", 1/2"
- 1" Linear Seats 1/4", 1/2"
- 2" Equal Percentage Seats 7/16", 5/8" and 7/8"

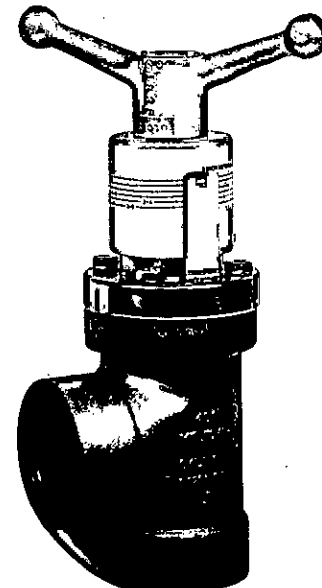
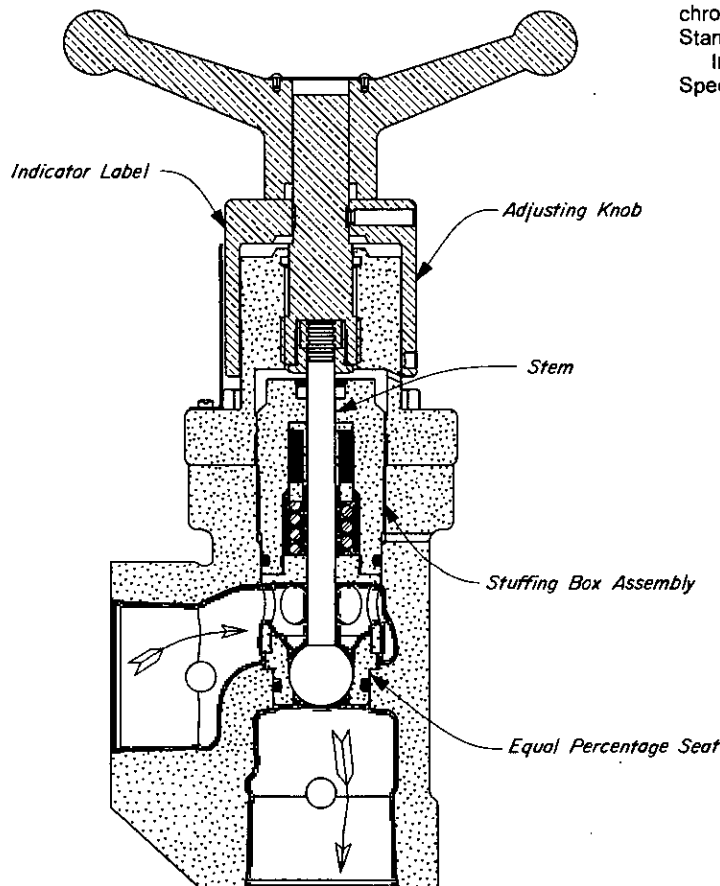
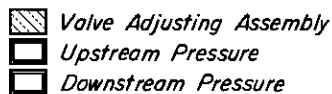
CAPACITIES:

Refer to Table of Contents

INNER VALVE SPECIFICATIONS:

1" & 2" MV-Standard valve plug for 7/16" consists of a carbide ball rigidly connected to a 303 stainless steel stem. Standard valve plugs for 5/8" and 7/8" consist of a hardened high chrome alloy ball rigidly connected to a 303 stainless steel stem. Standard seats are made of heat treated tool steel.

Inner valves can be made from a wide selection of materials. Specify when ordering.

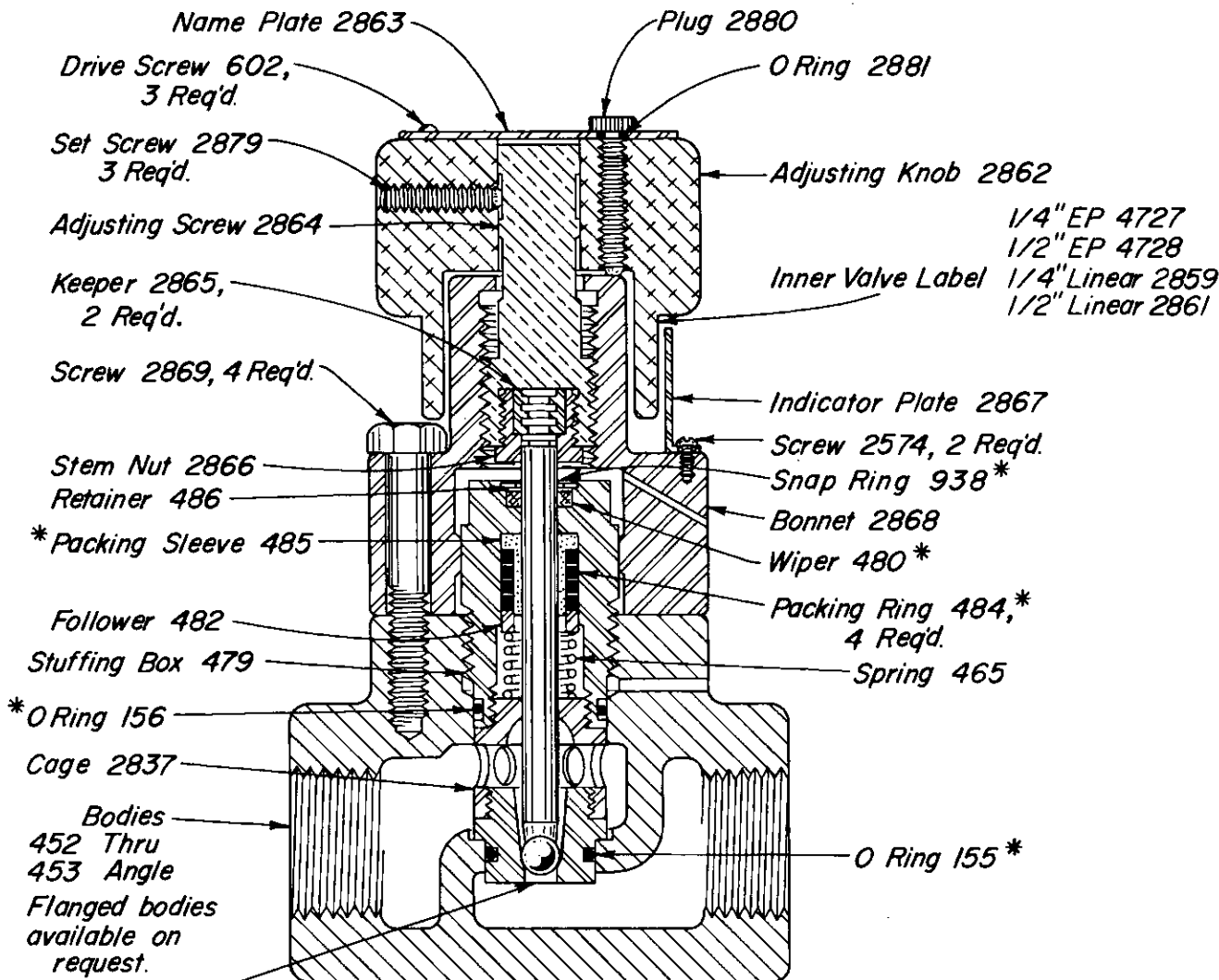


Kimray is an ISO 9001- certified manufacturer.

HIGH PRESSURE MOTOR VALVES



1" METERING VALVE
STEEL



Inner Valves

E.P. Inner Valves		Linear Inner Valves	
Size	Trim Set No.	Size	Trim Set No.
1/4"	T4730MV	1/4"	T4729MV
1/2"	T4732MV	1/2"	T4731MV

THRU VALVES AVAILABLE:

CAT. NO.	INNER VALVE	VALVE	MAX W.P.	KIT
EGA	1/4"	1400 SMVT 1/4 EP IV	4000	RSH
EGB	1/2"	1400 SMVT 1/2 EP IV	4000	RSH
EGC	1/4"	1400 SMVT 1/4 LINIV	4000	RSH
EGD	1/2"	1400 SMVT 1/2 LIN IV	4000	RSH

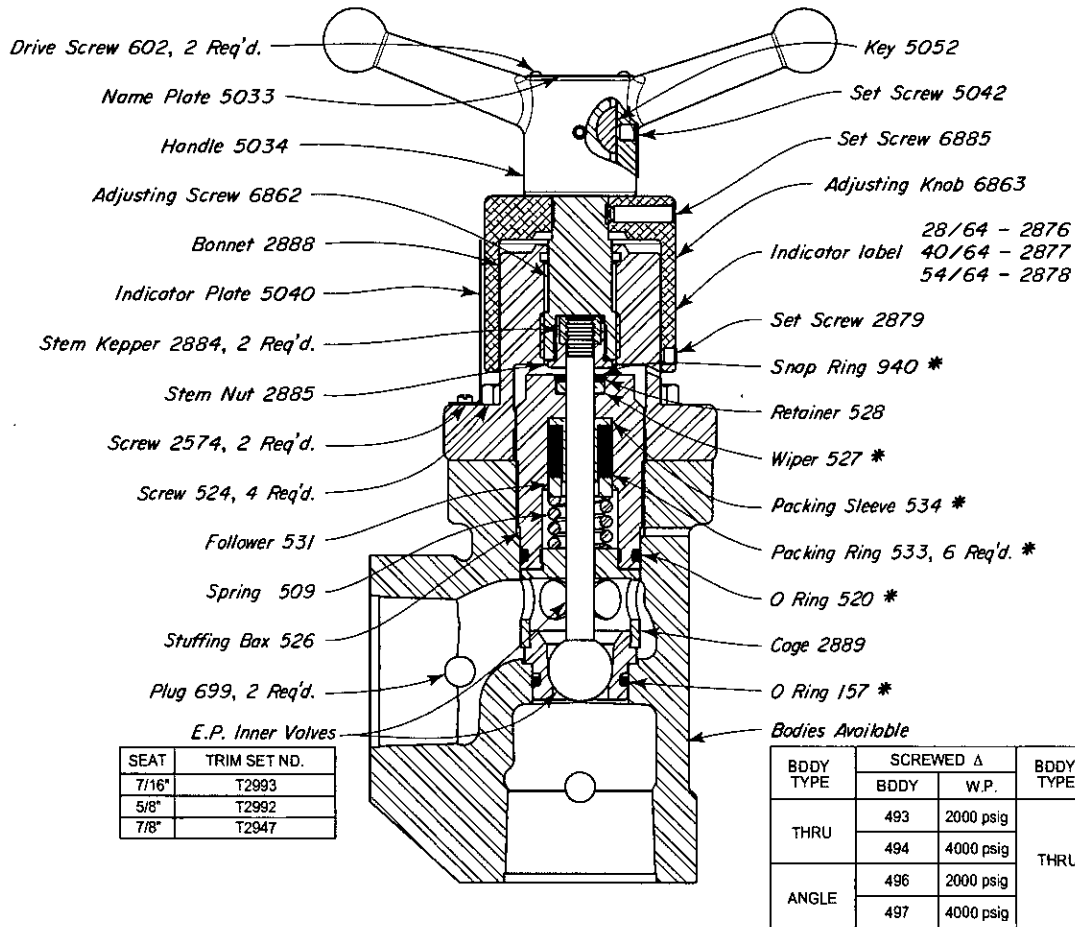
NOTES:

All standard Metering Valves have a Cat. No. Seats, stems, cages, stuffing boxes and valve bodies are available in 316 stainless steel upon special request. Inner valves can be made from a wide selection of materials. Specify when ordering.

Flanged bodies are available. All bodies are available with a 1/4" NPT tapped hole upstream and downstream. Specify when ordering.

*These are recommended spare parts and are stocked as repair kits.

Kimray is an ISO 9001- certified manufacturer.



SEAT	TRIM SET NO.
7/16"	T2993
5/8"	T2992
7/8"	T2947

BDDY TYPE	SCREWED Δ		BDDY TYPE	FLANGED	
	BDDY	W.P.		BDDY	ANSI CLASS
THRU	493	2000 psig	THRU	4510	150 RF
	494	4000 psig		4511	300 RTJ
				4512	300 RF
ANGLE	496	2000 psig		4513	600 RF
				4514	600 RTJ
	497	4000 psig		4515	1500 RTJ
			4516	1500 RF	
			4230	2500 RF	

THRU VALVES AVAILABLE:

CAT. NO.	INNER VALVE	VALVE	MAX W.P.	KIT
EEJ	1/4"	2200 SMVT 1/4 IV	2000	RSE
EEL	7/16"	2200 SMVT 7/16 IV	2000	RSE
EEN	5/8"	2200 SMVT 5/8 IV	2000	RSE
EEO	7/8"	2200 SMVT 7/8 IV	2000	RSE
EET	5/8"	2400 SMVT 5/8 IV	4000	RSE
EEW	7/8"	2400 SMVT 7/8 IV	4000	RSE
MAQ	7/8"	2500 FMVT 2500RTJ	5000	RSE

All standard Metering Valves have a Cat. No. Seats, stems, cages, stuffing boxes and valve bodies are available in 316 stainless steel. Inner valves can be made from a wide selection of materials. Specify when ordering.

*These are recommended spare parts and are stocked as repair kits.

Current Revision:
Change Knob to T-Handle

ANGLE VALVES AVAILABLE:

CAT. NO.	INNER VALVE	VALVE	MAX W.P.	KIT
EEK	7/16"	2200 SMVA 7/16 IV	2000	RSE
EEM	5/8"	2200 SMVA 5/8 IV	2000	RSE
EEO	7/8"	2200 SMVA 7/8 IV	2000	RSE
EES	5/8"	2400 SMVA 5/8 IV	4000	RSE
EEV	7/8"	2400 SMVA 7/8 IV	4000	RSE

Flanged and socket weld bodies are available. All bodies are available with a 1/4" NPT tapped hole upstream and downstream. Specify when ordering.

For dimensions, refer to Table of Contents. Flanged dimensions available upon request.

*For working pressure vs. working temperature see ASME B16.34;

For flanges & flanged fittings see ASME B16.5.

Kimray is an ISO 9001- certified manufacturer.

APPLICATIONS:

This valve can be used to meter or control flow of liquids and/or gases on meter runs, flow lines, or may be used as a choke under low pressure drop conditions where freezing is not a problem.

Used any time a reference control point is required in 64" of an inch opening.

FEATURES:

- Compact design
- O Ring sealed seat
- Teflon packed stuffing box
- Easily adjusted
- Large adjusting knob
- Large adjusting screw

STEM TRAVEL:

- 2" HPMV PB - $\frac{3}{4}$ " nominal
- 3" HPMV PB - $1\frac{3}{8}$ " nominal

OPERATIONS:

Rotation of the adjusting knob raises or lowers the valve plug relative to the valve seat. Six full turns are required to fully open the valve. Opening is graduated in 64ths.

WORKING PRESSURE:




- 2" HPMV PB - 1500, 4000 psig
- 3" HPMV PB - 1500 psig

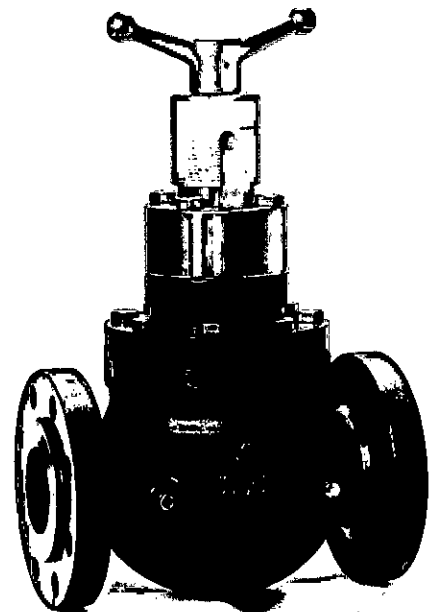
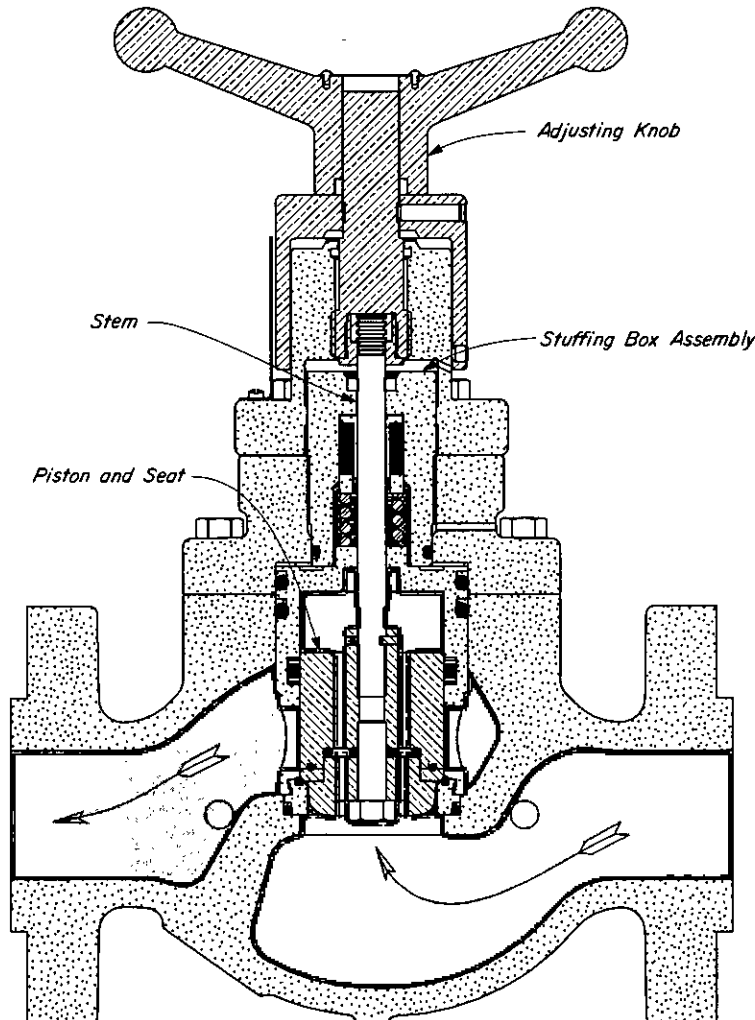
INNER VALVE SIZES:

- 2" HPMV PB - 1 $\frac{1}{2}$ " & 2" Equal Percentage
- 3" HPMV PB - 2" & 3" Equal Percentage

STANDARD TRIM SPECIFICATIONS:

- 316 stainless steel cage
- D-2 tool steel valve plug assembly
- D-2 tool steel seat
- Polyurethane seal with Metal-to-Metal back-up
- (Other material available on request)

-  Valve Adjusting Assembly
-  Upstream Pressure
-  Downstream Pressure

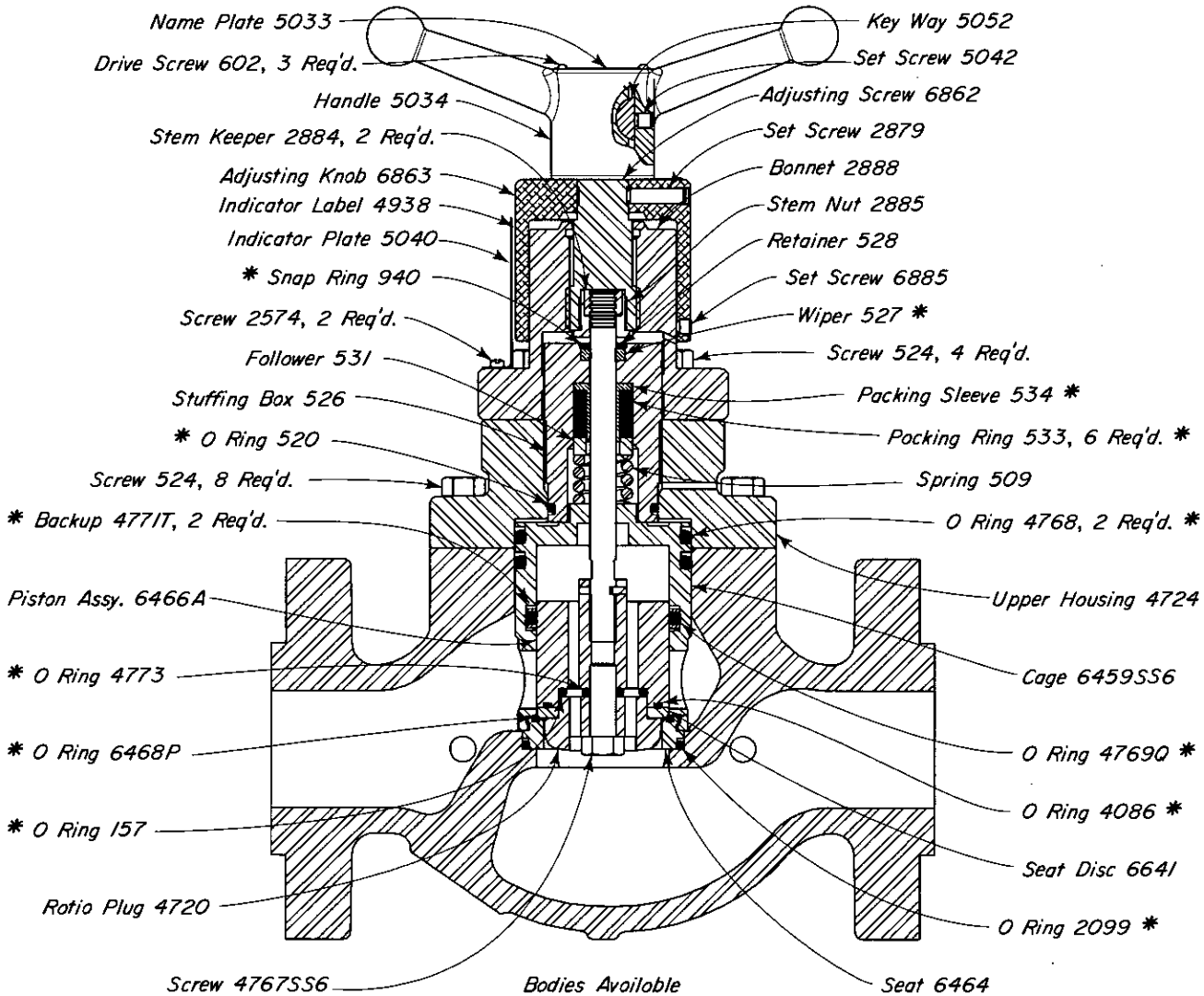


Kimray is an ISO 9001- certified manufacturer.

HIGH PRESSURE MOTOR VALVES



2" PISTON BALANCED METERING VALVE STEEL



Bodies Available

BODY TYPE	SCREWED		FLANGED	
	BODY	W.P.	BODY	W.P.
THRU	4813	1500 lbs.	4712	600 RF
	4764	4000 lbs.	4713	600 RTJ
			4714	1500 RF
			4715	1500 RTJ

THRU VALVES AVAILABLE:

CAT. NO.	SIZE TYPE	VALVE	MAX W.P.	REPAIR KIT
EFE	2" SCRD.	2150 SMVT PB 2 IV	1500	RSN
EGF	2" SCRD.	2400 SMVT PB 2 IV	4000	RSN
EGE	2" FLGD.	2 FMVT PB 600RF	1480	RSN
MBK	2" FLGD.	2 FMVT PB 1500RF	3705	RSN

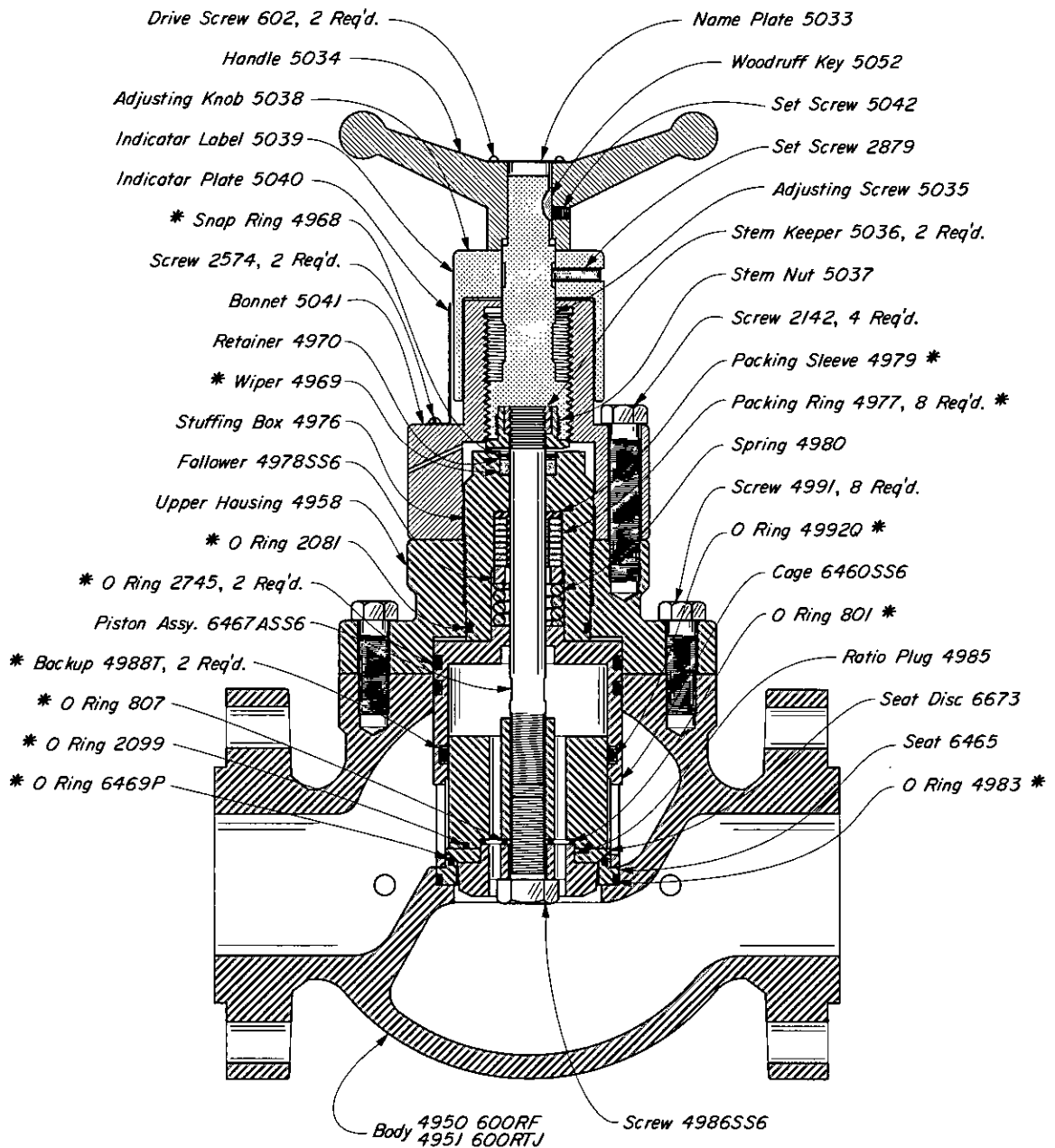
NOTES:

All standard Metering Valves have a Cat. No. seats, stems, cages, stuffing boxes and valve bodies are available in 316 stainless steel upon special request. Inner valves can be made from a wide selection of materials. Specify when ordering.

Flanged bodies are available. All bodies are available with a 1/4" NPT tapped hole upstream and downstream. Specify when ordering.

*These are recommended spare parts and are stocked as repair kits.

Kimray is an ISO 9001- certified manufacturer.



THRU VALVES AVAILABLE:

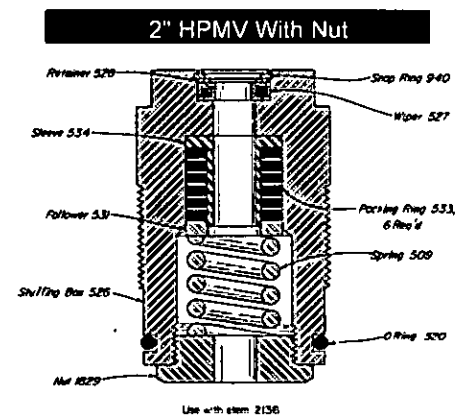
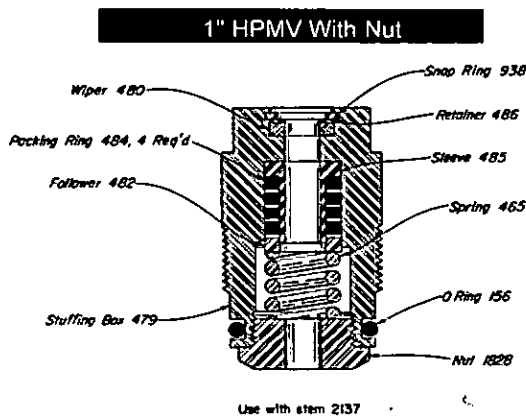
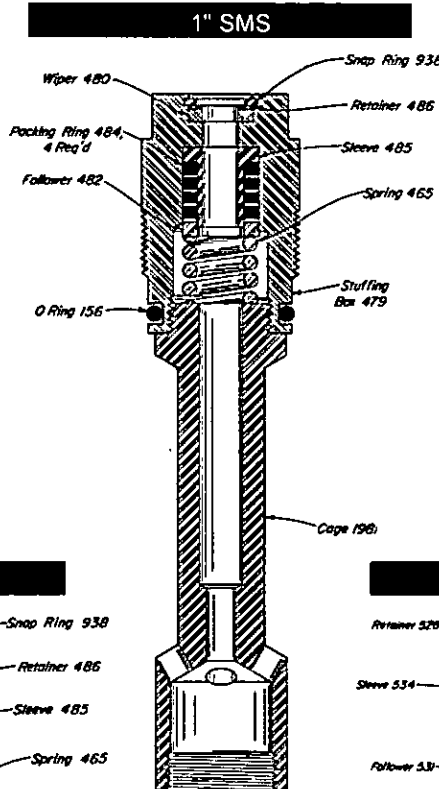
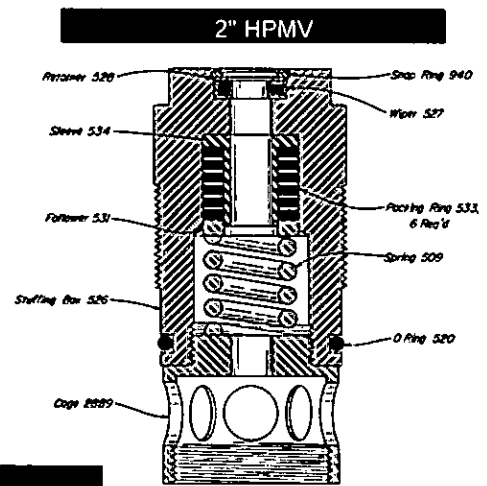
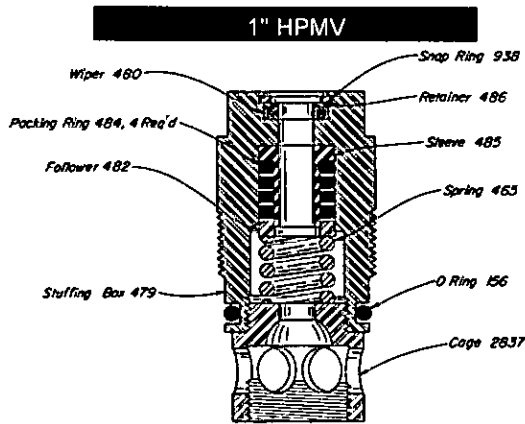
CAT. NO.	SIZE TYPE	VALVE	MAX W.P.	REPAIR KIT
EGL	3" FLGD.	3150 FMVT PB 600 RF	1480	RSO
EGM	3" FLGD.	3150 FMVT PB 600 RTJ	1480	RSO

NOTES:

All standard Metering Valves have a Cat. No. seats, stems, cages, stuffing boxes and valve bodies are available in 316 stainless steel upon special request. Inner valves can be made from a wide selection of materials. Specify when ordering.

Flanged bodies are available. All bodies are available with a 1/4" NPT tapped hole upstream and downstream. Specify when ordering.

*These are recommended spare parts and are stocked as repair kits.



STUFFING BOXES AVAILABLE:

CAT. NO	STUFFING BOXES	MAX W.P.
EAV	SMS VALVES	4000
EAW	1" HPMV	4000
EAX	1" HPMV w/NUT	4000
EBY	2" HPMV	4000
EBZ	2" HPMV w/NUT	4000

Current Revision:
Change Logo

NOTES:

Stuffing box assemblies are available in 316 stainless steel. Cage 1981 is also available in heat treated tool steel. Specify when ordering.

Kimray is an ISO 9001- certified manufacturer.